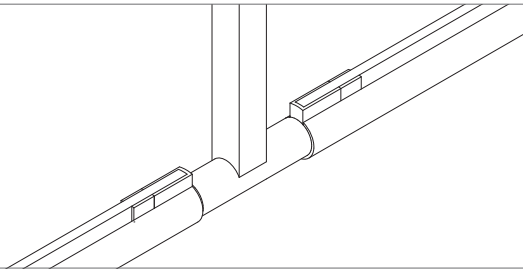
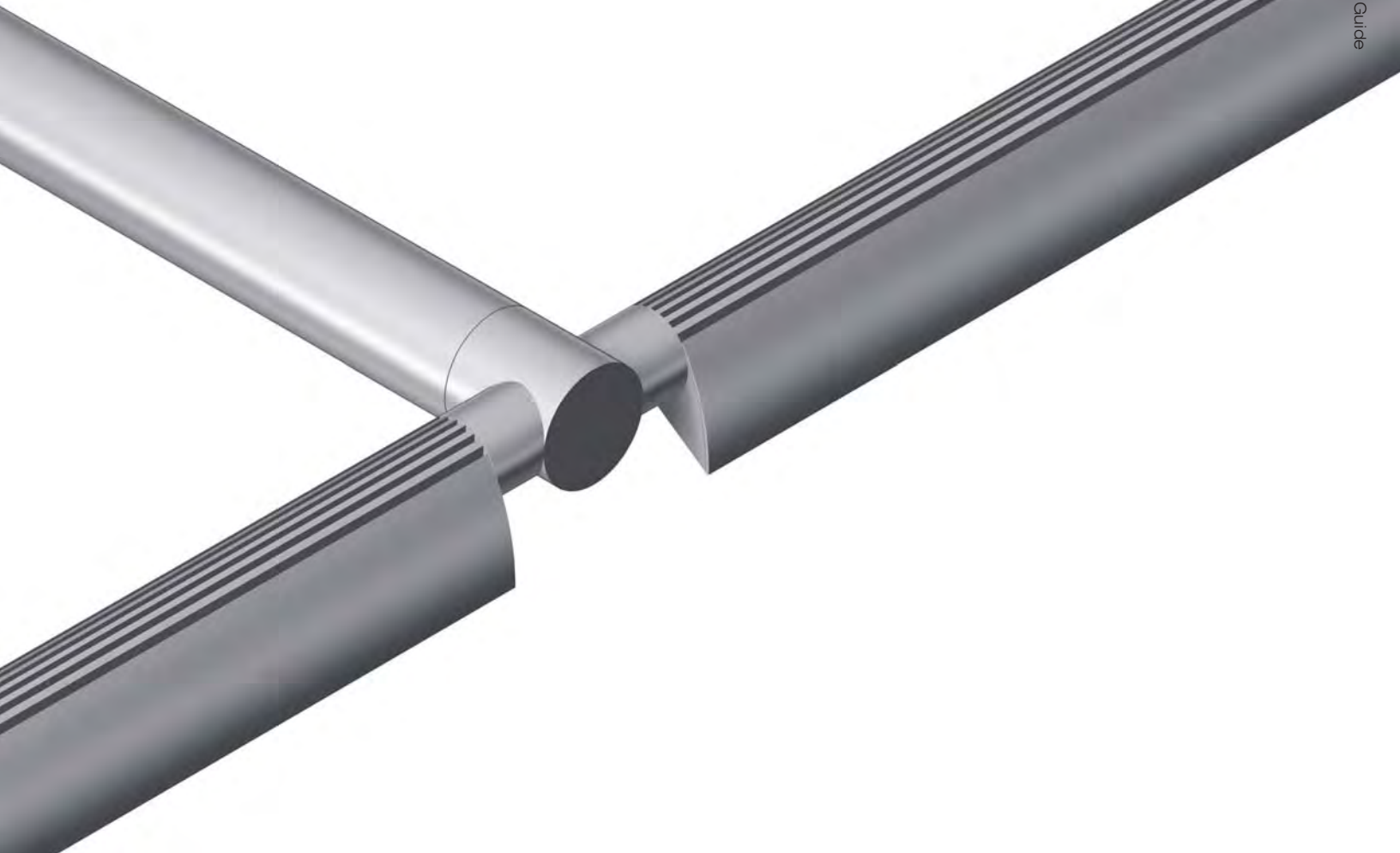




400 Series  
**Monopoint System**  
**VodeRail LED**



**400 Series Monopoint System** for LED. Wall, ceiling or table mount. Single or double rail option. 1'(35.6cm) – 5'(156.8cm) rail lengths available. Patented hub design allows for 370° rotation with lock-screw. Round or square arm. Brushed aluminum finish standard.



WingPerf



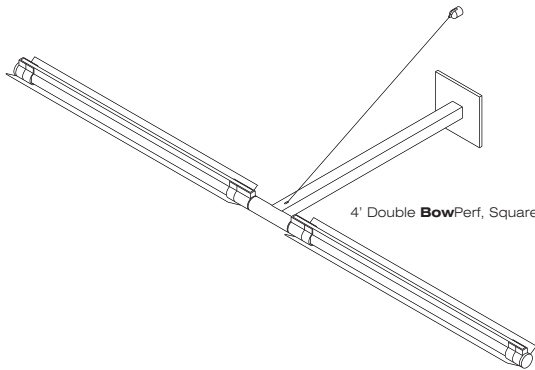
RaceRail



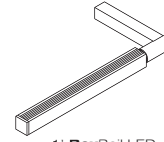
400 Series

### Monopoint System

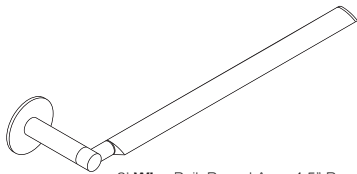
### VodeRail LED - Example Configurations



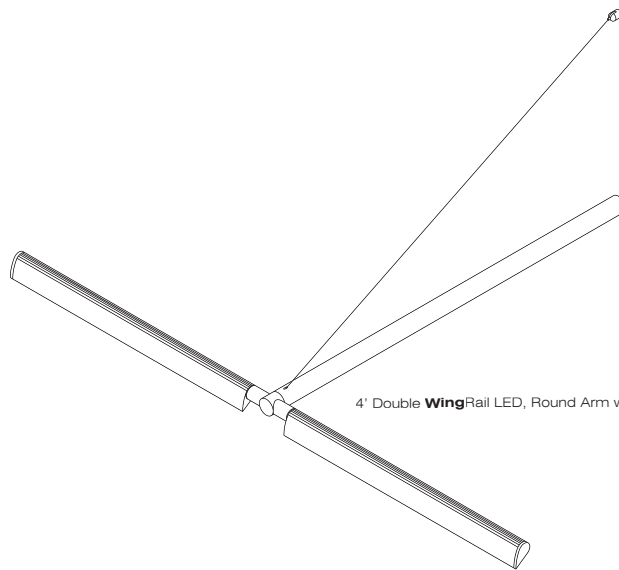
4' Double **BowPerf**, Square Arm with tie back, 4.5" Square Canopy



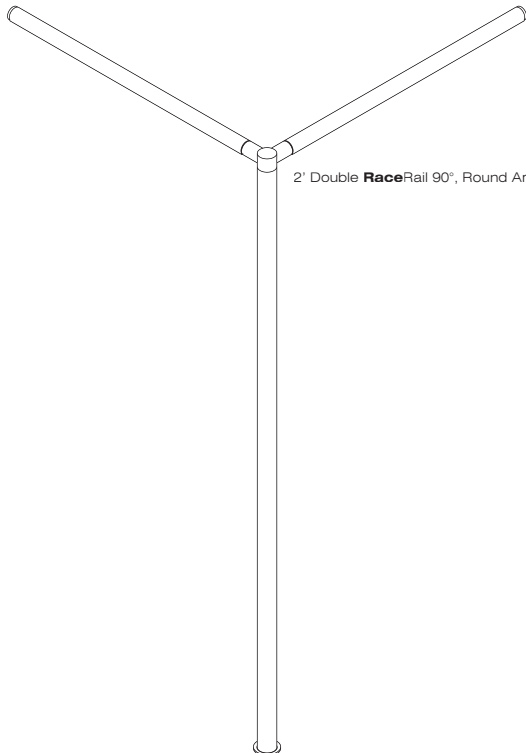
1' **BoxRail** LED, Square Arm, Zero Canopy



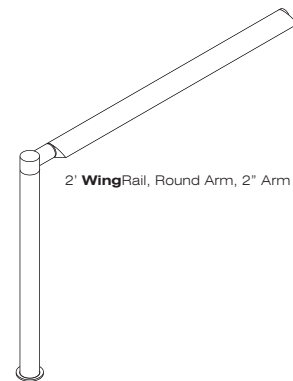
2' **WingRail**, Round Arm, 4.5" Round Canopy



4' Double **WingRail** LED, Round Arm with tie back, Zero Canopy



2' Double **RaceRail** 90°, Round Arm, 2" Arm Anchor



2' **WingRail**, Round Arm, 2" Arm Anchor

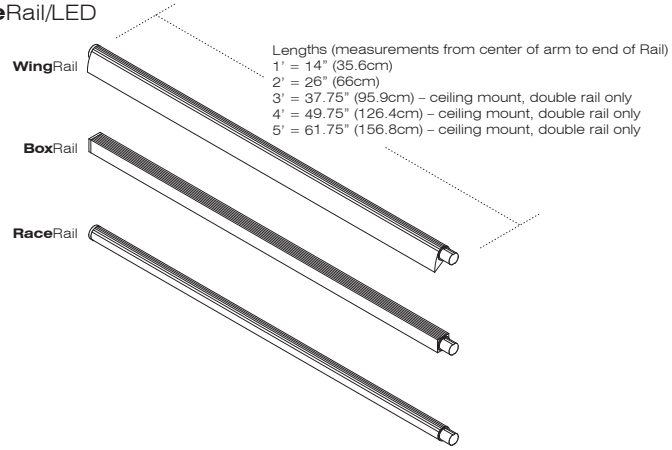


400 Series

## Monopoint System

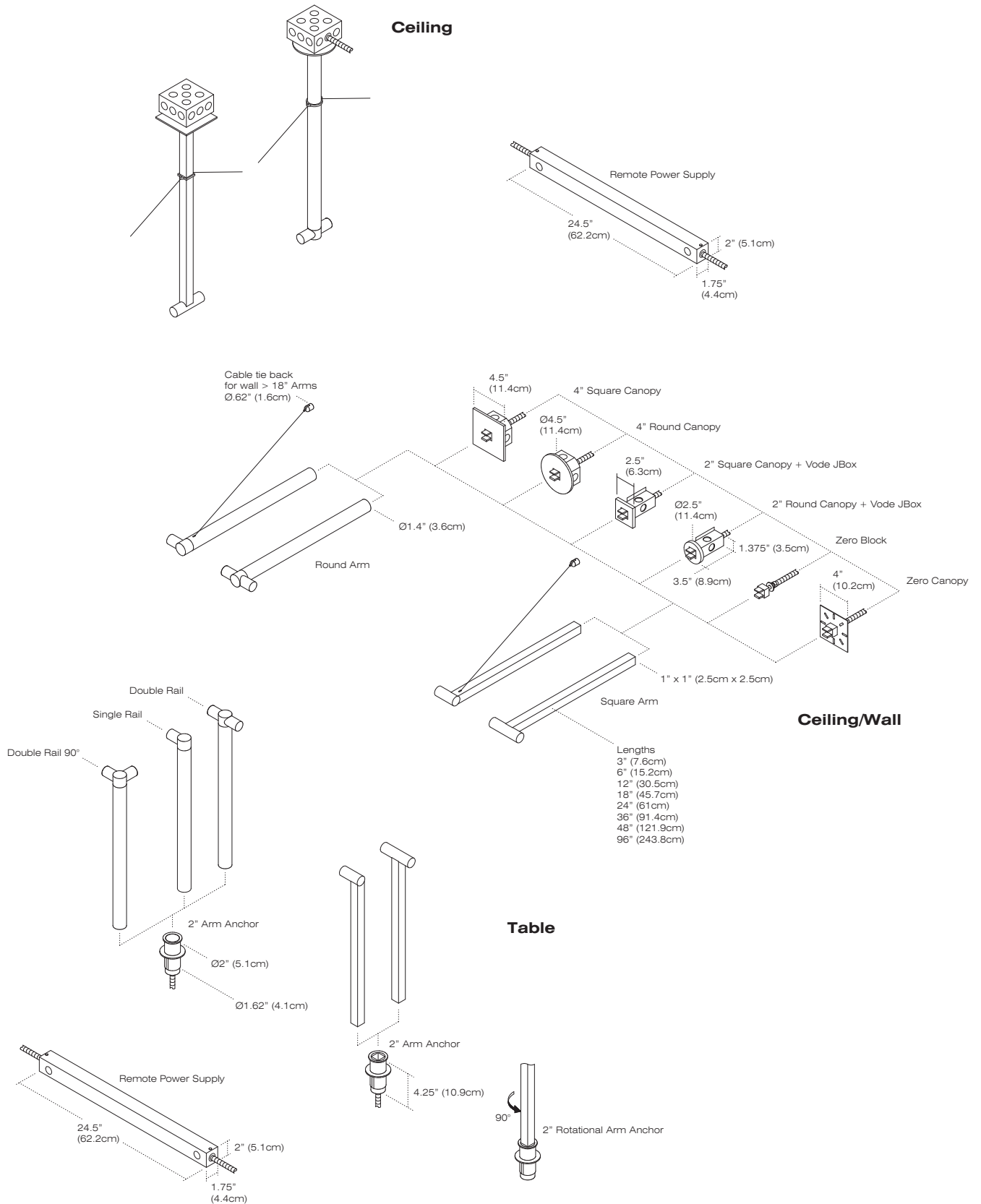
### VodeRail LED - Rail Types

#### VodeRail/LED





400 Series  
**Monopoint System**  
**VodeRail LED - System Components**



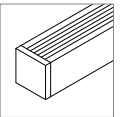


400 Series  
**Monopoint System**  
**VodeRail LED - Specification Sheet**

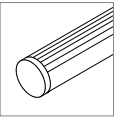
Specification Code

Vode Code	Rail Type	Rail Length	Mounting/Arm Type	Arm Length	Power Location	Canopy Type	Power/Voltage	Diode Type	Color Temperature	Finish	Optics	Options
<b>407</b> 417 427	<b>2</b>	<b>3</b>	<b>4</b>	<b>5</b>	<b>R</b>	<b>7</b>	<b>8</b>	<b>9</b>	<b>10</b>	<b>11</b>	<b>12</b>	<b>13</b>

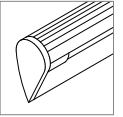
<b>1</b>	<b>Vode Code</b> 407 single rail    417 double rail    427 double rail 90°											
<b>2</b>	<b>Rail Type</b> BX BoxRail    WL WingRail - left RR RaceRail    WR WingRail - right											
<b>3</b>	<b>Rail Length</b> 1 1' - 14" (35.6cm)    4 4' - 49.75" (126.4cm)* 2 2' - 26" (66cm)    5 5' - 61.75" (156.8cm)* 3 3' - 37.75" (95.9cm)*											
	Dimension is from center of arm to end of Rail. *ceiling mount only											
<b>4</b>	<b>Mounting/Arm Type</b> WR wall, round arm    CR ceiling, round arm*    TR table, round arm WS wall, square arm    CS ceiling, square arm*    TS table, square arm											
	*ceiling mount only available with double rail (417)											
<b>5</b>	<b>Arm Length</b> 3 3" arm    18 18" arm    48 48" arm 6 6" arm    24 24" arm    96 96" arm* 12 12" arm    36 36" arm    XX custom length											
	Wall mounted systems include cable tie-back for arms >18". *not recommended for table arm mounting (TR or TS).											
<b>6</b>	<b>Power Location</b> R remote power											
<b>7</b>	<b>Canopy Type</b> 00 zero canopy*    4R 4.5" round canopy 0B zero block*    4S 4.5" square canopy 2R 2.5" round canopy*    2N 2" rotational arm anchor*† 2S 2.5" square canopy*    2T 2" arm anchor*†											
	*not available with ballast in Vode Jbox (J) †recommended for table arm mounting (TR or TS)											
<b>8</b>	<b>Power</b> AA non-dimming    AD DALI dimming AT 0 - 10v dimming    X other (please specify)											
	LED power details on page 144.											
<b>9</b>	<b>Diode Type</b> LL low power, low density - 1 LED every 4.7mm LH low power, high density - 1 LED every 2.4mm HL high power, low density - 1.2w LED, 1 LED every 50mm											
<b>10</b>	<b>Color Temperature</b> 30 warm white - 3000K    35 neutral white - 3500K    41 neutral white - 4100K											
	CCT range +/-300K.											
<b>11</b>	<b>Finish</b> A brushed aluminum (standard)    BL black anodized											
<b>12</b>	<b>Optics</b> 0 90° beam (no optic), clear dust lens TW 90° beam (no optic), translucent white dust lens											
	<b>LL and LH Diode Configurations</b> A34 34° asymmetric											
	<b>HL Diode Configurations (BoxRail only)</b> 8A 8° raw    12B 12° x 46° spread    30A 30° diffuse 12A 12° smooth    16A 16° diffuse    54A 54° diffuse											
<b>13</b>	<b>Options</b> 0 none    CP6 6' 18/3 clear power cord and plug											



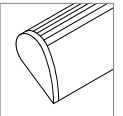
BoxRail



RaceRail



WingRail - L



WingRail - R

Due to rapid advancements in LED technology including optics and power configurations for LED, we recommend a visit to [vode.com](http://vode.com) for the latest LED specifications and innovations from Vode.