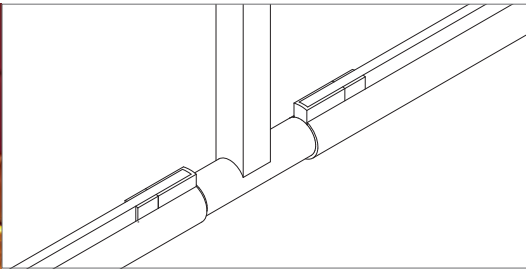
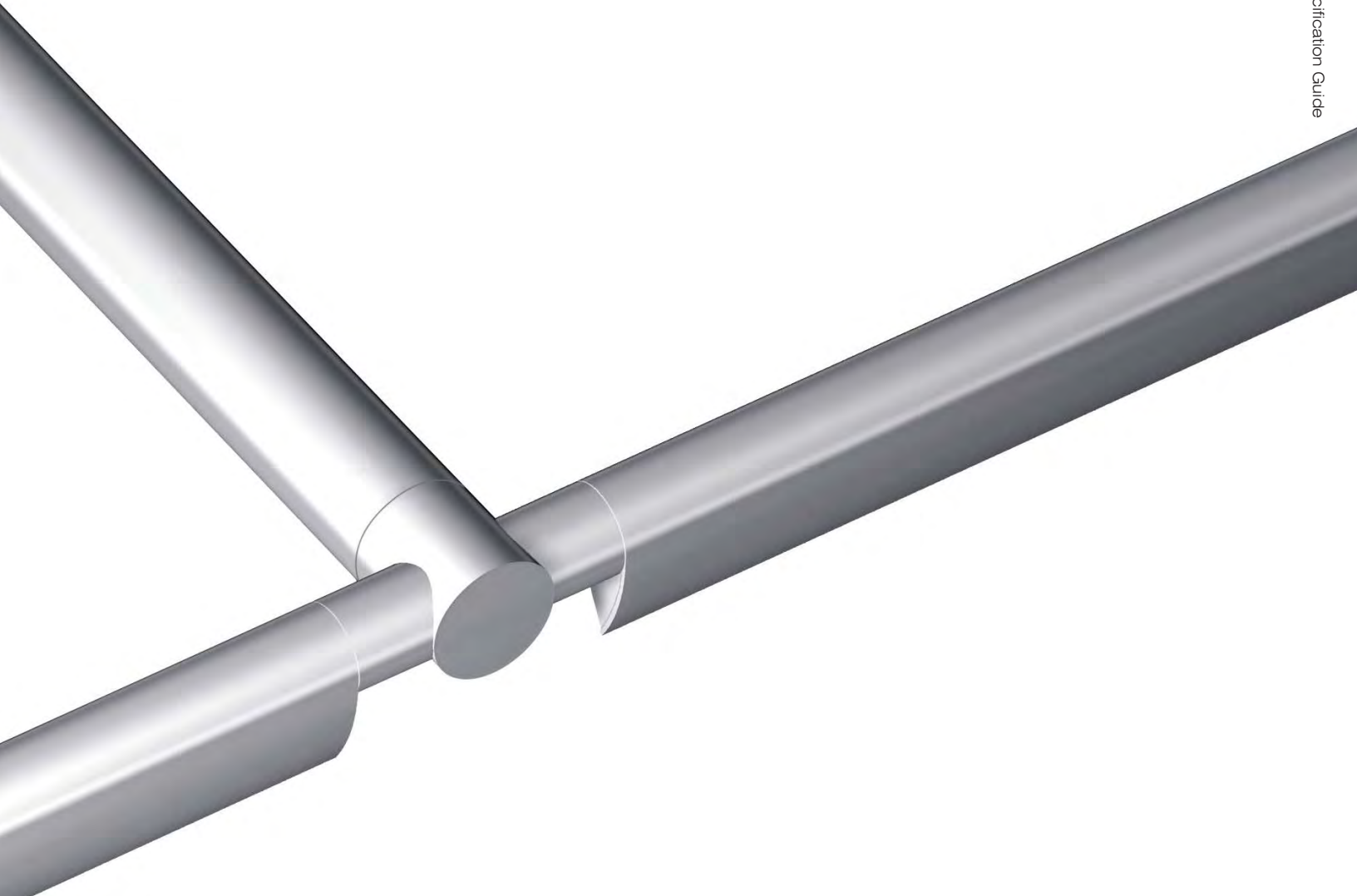




400 Series
Monopoint System
VodeRail & Bee+Rail T5



400 Series Monopoint System for T5HE or T5HO fluorescent. Wall, ceiling or table mount. Single or double rail option. 2'(66cm) - 5'(156.8cm) rail lengths available. Patented hub design allows for 370° rotation with lock-screw. Round or square arm. Integral ballast option. Brushed aluminum finish standard.



WingPerf



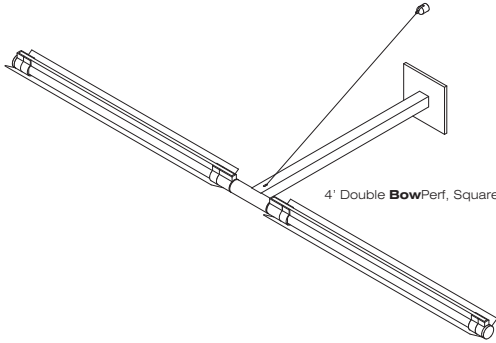
RaceRail



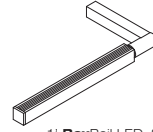
400 Series

Monopoint System

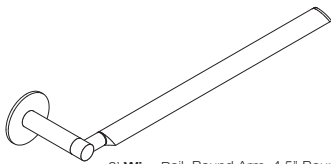
VodeRail & Bee+Rail T5 - Example Configurations



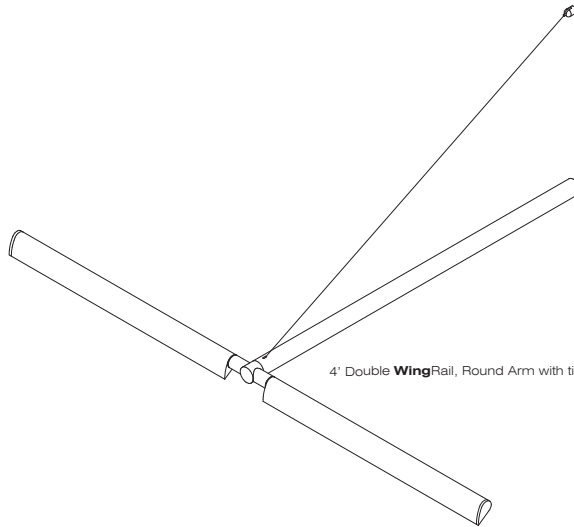
4' Double **BowPerf**, Square Arm with tie back, 4.5" Square Canopy



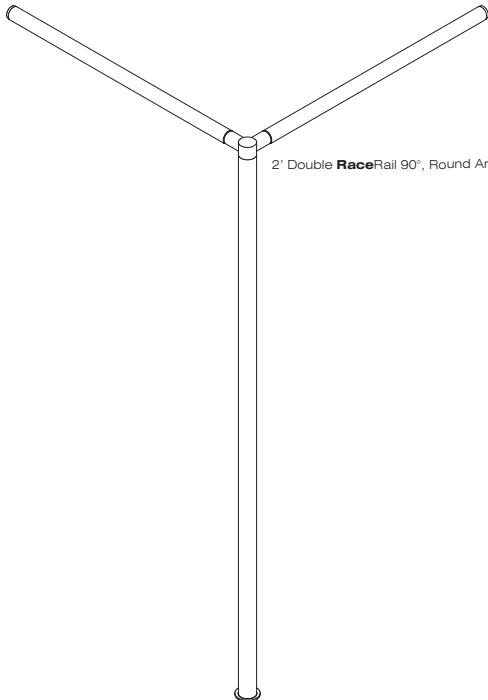
1' **BoxRail** LED, Square Arm, Zero Canopy



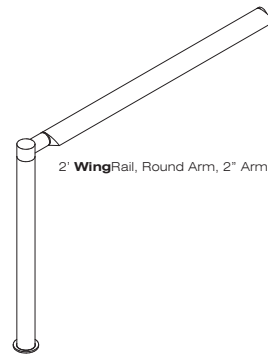
2' **WingRail**, Round Arm, 4.5" Round Canopy



4' Double **WingRail**, Round Arm with tie back, Zero Canopy

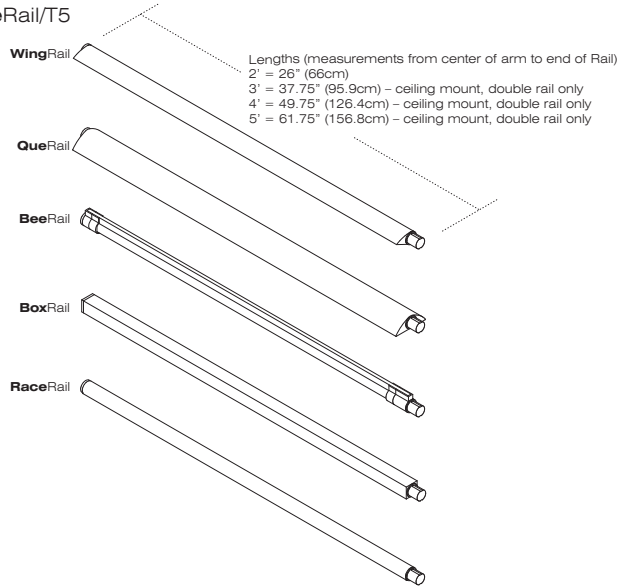


2' Double **FaceRail** 90°, Round Arm, 2" Arm Anchor

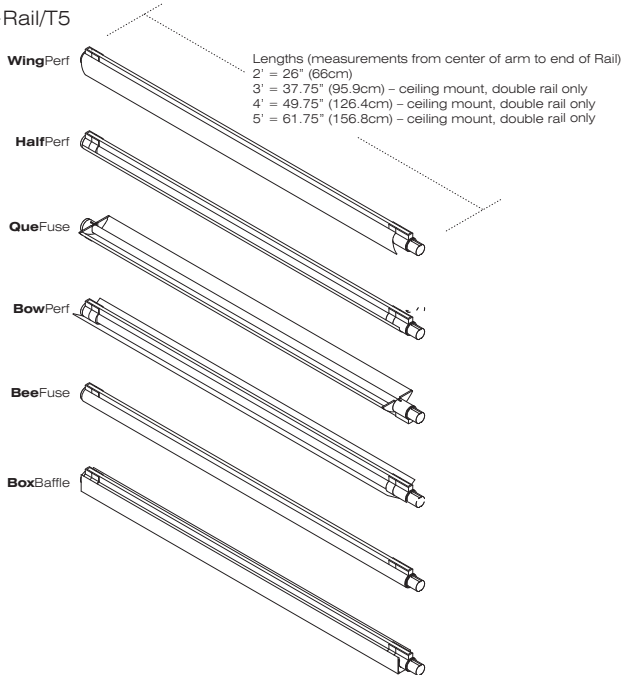


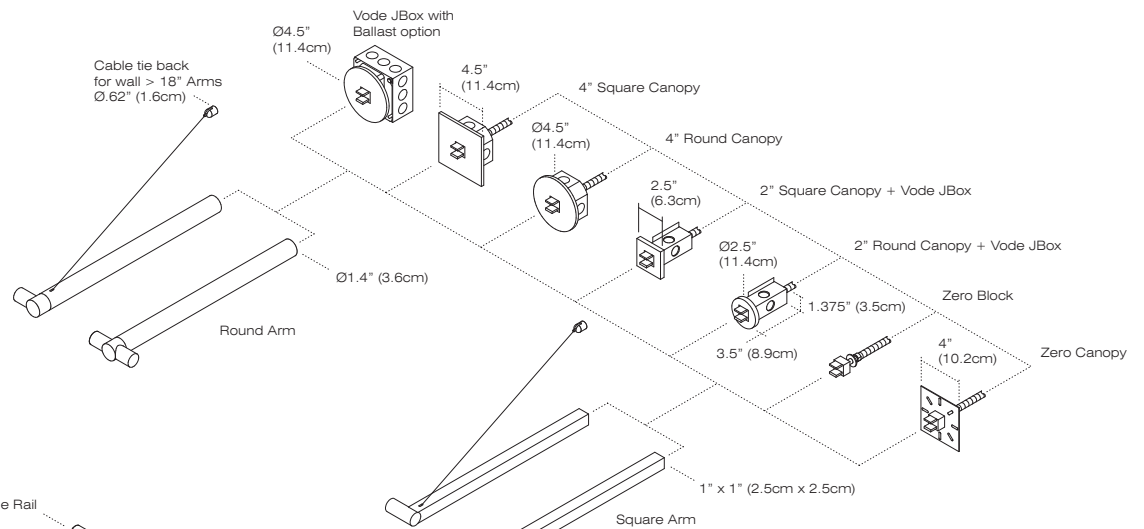
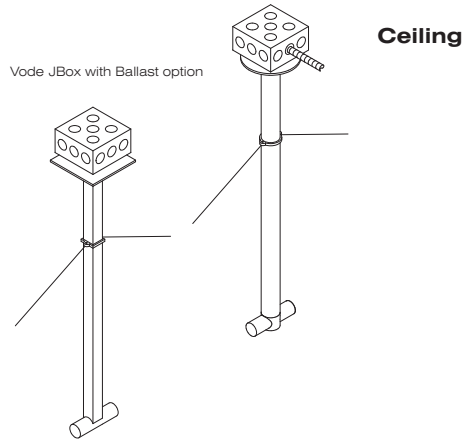
2' **WingRail**, Round Arm, 2" Arm Anchor

VodeRail/T5

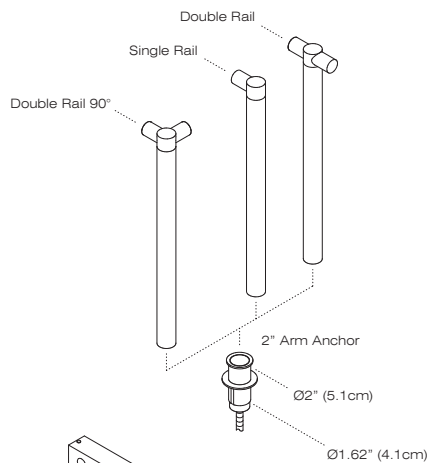


Bee+Rail/T5

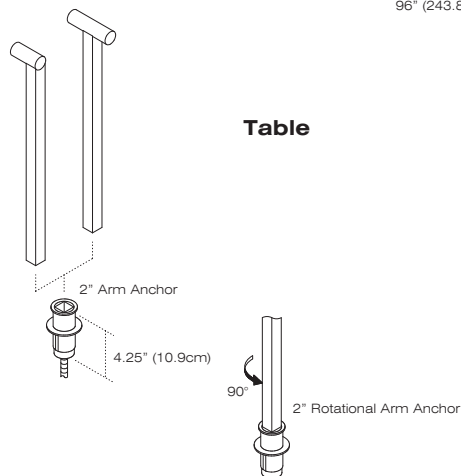
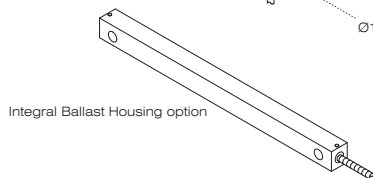




Ceiling/Wall



- Lengths
- 3" (7.6cm)
 - 6" (15.2cm)
 - 12" (30.5cm)
 - 18" (45.7cm)
 - 24" (61cm)
 - 36" (91.4cm)
 - 48" (121.9cm)
 - 96" (243.8cm)



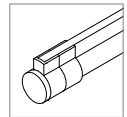


400 Series
Monopoint System
VodeRail T5 - Specification Sheet

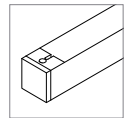
Specification Code

Vode Code	Rail Type	Rail Length	Mounting/Arm Type	Arm Length	Ballast Location	Canopy Type	Ballast Type/Voltage	Lamp Type	Finish	Lens/Baffle	Options
405 415 425	2	3	4	5	6	7	8	9	10	11	12

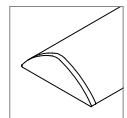
1	Vode Code 405 single rail 415 double rail 425 double rail 90°		
2	Rail Type BE BeeRail QU QueRail WL WingRail - left BX BoxRail RR RaceRail WR WingRail - right		
3	Rail Length 2 2' - 26" (66cm) 4 4' - 49.75" (126.4cm)* 3 3' - 37.75" (95.9cm)* 5 5' - 61.75" (156.8cm)* Dimension is from center of arm to end of Rail. *ceiling mount only		
4	Mounting/Arm Type WR wall, round arm CR ceiling, round arm* TR table, round arm WS wall, square arm CS ceiling, square arm* TS table, square arm *ceiling mount only available with double rail (415)		
5	Arm Length 3 3" arm 18 18" arm 48 48" arm 6 6" arm 24 24" arm 96 96" arm* 12 12" arm 36 36" arms XX custom length Wall mounted systems include cable tie-back for arms >18". *not recommended for table arm mounting (TR or TS)		
6	Ballast Location A ballast in arm*† J ballast in Vode jbox* R remote ballast *maximum lamp wattage 28 watts, instant start only †round arm only, 18" or >		
7	Canopy Type 00 zero canopy* 2S 2.5" square canopy* 4S 4.5" square canopy 0B zero block* 4R 4.5" round canopy 2N 2" rotational arm anchor*† 2R 2.5" round canopy* 2T 2" arm anchor*† *not available with ballast in Vode Jbox (J) †recommended for table arm mounting (TR or TS)		
8	Ballast Type A programmed start* F 1% dimming (0 - 10v)* B 10% dimming - Lutron Eco-10* G bi-level dimming* C 1% dimming - Lutron Hi-lume* H 1% DALI dimming - Lutron Hi-Lume 3D* D 1% DALI dimming - Osram* I instant start E 10% DALI dimming - Lutron Ecosystem* X other (please specify)		Voltage 1 120v 2 277v 3 347v 4 220v
9	Lamp Type HE high efficiency T5 HO high output T5 2' = 14w 5' = 35w 2' = 24w 5' = 80w 3' = 21w 6' = (2) 21w 3' = 39w 6' = (2) 39w 4' = 28w 8' = (2) 28w 4' = 54w 8' = (2) 54w		
10	Finish A brushed aluminum (standard) WH white powdercoat BL black anodized		
11	Lens/Baffle 0 none 1 prismatic lens* B cross baffle** S indirect slott† Please refer to Bee+Rail specification guide for accessory reflectors for BeeRail . *option for QU and WG only, standard for RR and BX **option for QU and WG only †option for WG , BX and QU only		
12	Options 0 none F GLR fuse 1 on/off toggle switch (ballast in arm (A) only) L lamps provided (specify color temperature) E emergency ballast* CP6 6' 14/3 clear power cord and plug *emergency ballast only available with remote ballast (R)		



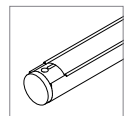
BeeRail



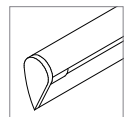
BoxRail



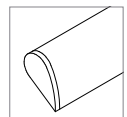
QueRail



RaceRail



WingRail - L



WingRail - R



400 Series

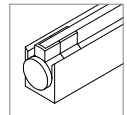
Monopoint System

Bee+Rail T5 - Specification Sheet

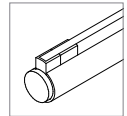
Specification Code

Vode Code	Rail Type	Rail Length	Mounting/Arm Type	Arm Length	Ballast Location	Canopy Type	Ballast Type/Voltage	Lamp Type	Finish	Bee+Rail	Options
405 415 425	BE	3	4	5	6	7	8	9	10	11	12

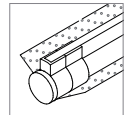
1	Vode Code 405 single rail 415 double rail 425 double rail 90°		
2	Rail Type BE Bee+Rail (specify Bee+ diffuser/reflector in step 11)		
3	Rail Length 2 2' - 26" (66cm) 4 4' - 49.75" (126.4cm)* 3 3' - 37.75" (95.9cm)* 5 5' - 61.75" (156.8cm)* Dimension is from center of arm to end of Rail. *ceiling mount only		
4	Mounting/Arm Type WR wall, round arm CR ceiling, round arm* TR table, round arm WS wall, square arm CS ceiling, square arm* TS table, square arm *ceiling mount only available with double rail (415)		
5	Arm Length 3 3" arm 18 18" arm 48 48" arm 6 6" arm 24 24" arm 96 96" arm* 12 12" arm 36 36" arm XX custom length Wall mounted systems include cable tie-back for arms >18". *not recommended for table arm mounting (TR or TS).		
6	Ballast Location A ballast in arm*† J ballast in Vode Jbox* R remote ballast *maximum lamp wattage 28 watts, instant start only †round arm only, 18" or >		
7	Canopy Type 00 zero canopy* 2S 2.5" square canopy* 4S 4.5" square canopy 0B zero block* 4R 4.5" round canopy 2N 2" rotational arm anchor*† 2R 2.5" round canopy* 2T 2" arm anchor*† *not available with ballast in Vode Jbox (J). †recommended for table arm mounting (TR or TS)		
8	Ballast Type A programmed start* F 1% dimming (0 - 10v)* B 10% dimming - Lutron Eco-10* G bi-level dimming* C 1% dimming - Lutron Hi-lume* H 1% DALI dimming - Lutron Hi-Lume 3D* D 1% DALI dimming - Osram* I instant start E 10% DALI dimming - Lutron Ecosystem* X other (please specify)		Voltage 1 120v 2 277v 3 347v 4 220v
9	Lamp Type HE high efficiency T5 HO high output T5 2' = 14w 5' = 35w 2' = 24w 5' = 80w 3' = 21w 6' = (2) 21w 3' = 39w 6' = (2) 39w 4' = 28w 8' = (2) 28w 4' = 54w 8' = (2) 54w		
10	Finish A brushed aluminum (standard) WH white powdercoat BL black anodized		
11	Bee+Rail BB BoxBaffle HP HalfPerf BF BeeFuse QF QueFuse BP BowPerf WP WingPerfs		
12	Options 0 none F GLR fuse 1 on/off toggle switch (ballast in arm (A) only) L lamps provided (specify color temperature) E emergency ballast* CP6 6' 14/3 clear power cord and plug *emergency ballast only available with remote ballast (R)		



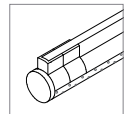
BoxBaffle



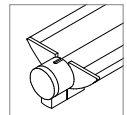
BeeFuse



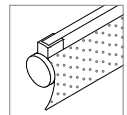
BowPerf



HalfPerf



QueFuse



WingPerf