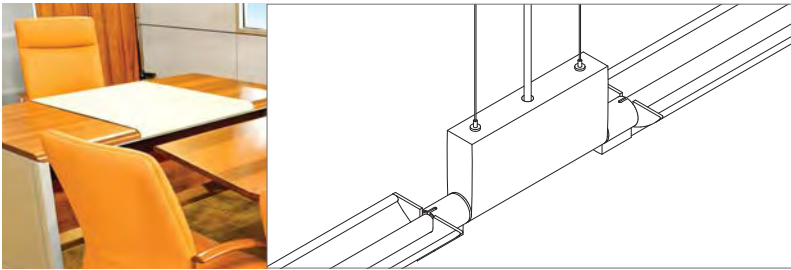
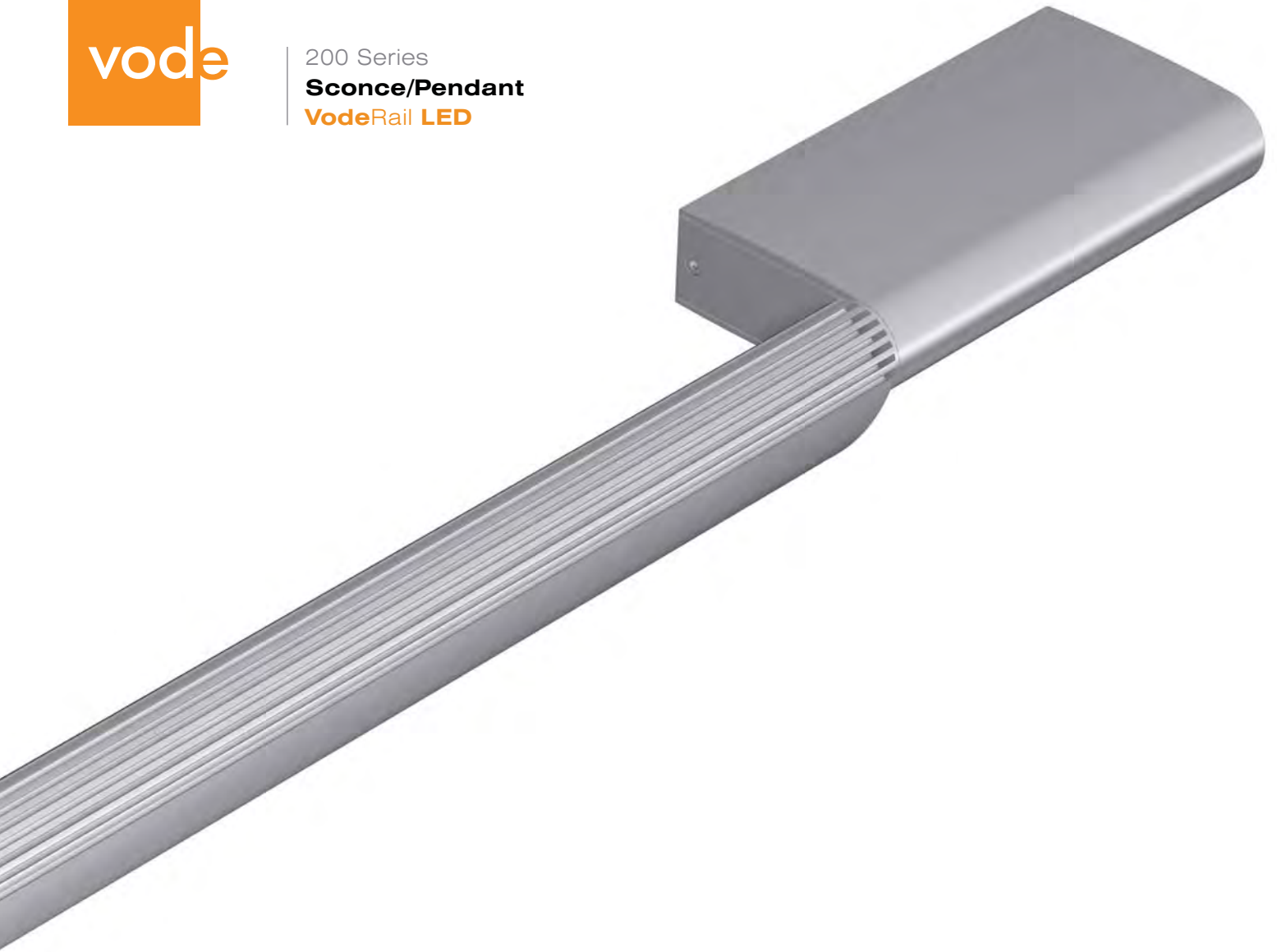




200 Series
Scence/Pendant
VodeRail LED



200 Series Surface/Pendant for LED. Ceiling, wall (ADA), or suspension mount. Single or double rail option. 1'(30.5cm) or 3'(91.5cm) rail lengths available. Patented hub design allows for 370° rotation with lock-screw. Mounts to any standard junction box or can be direct wired without jbox. Brushed aluminum finish standard.



BowPerf



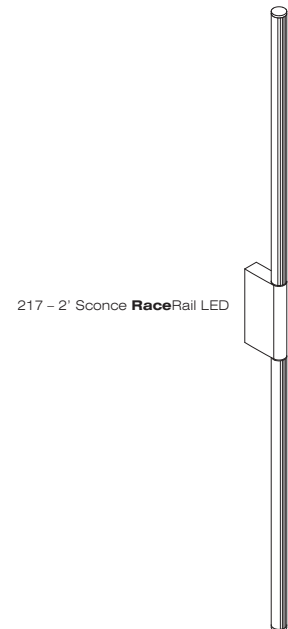
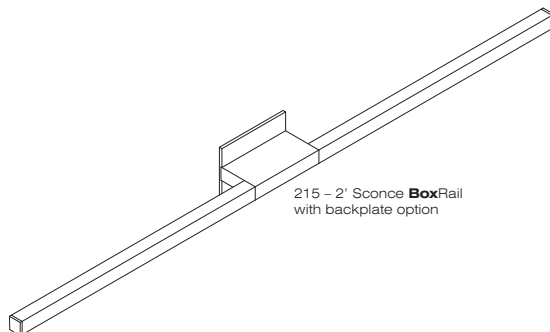
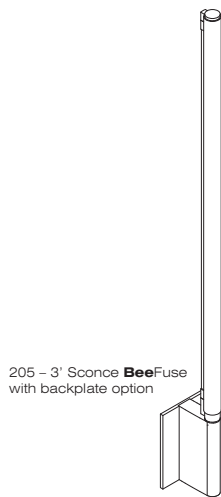
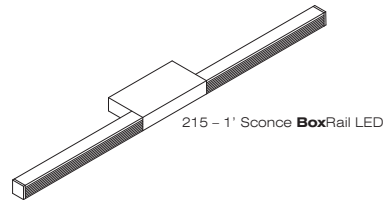
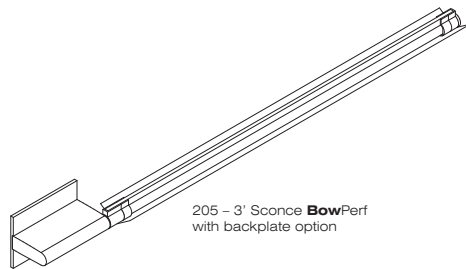
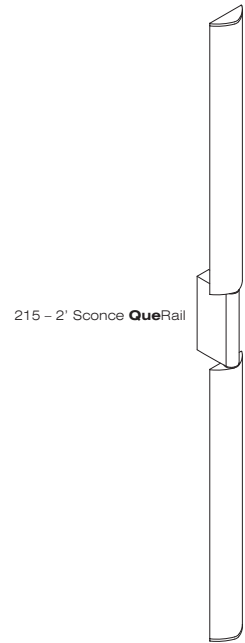
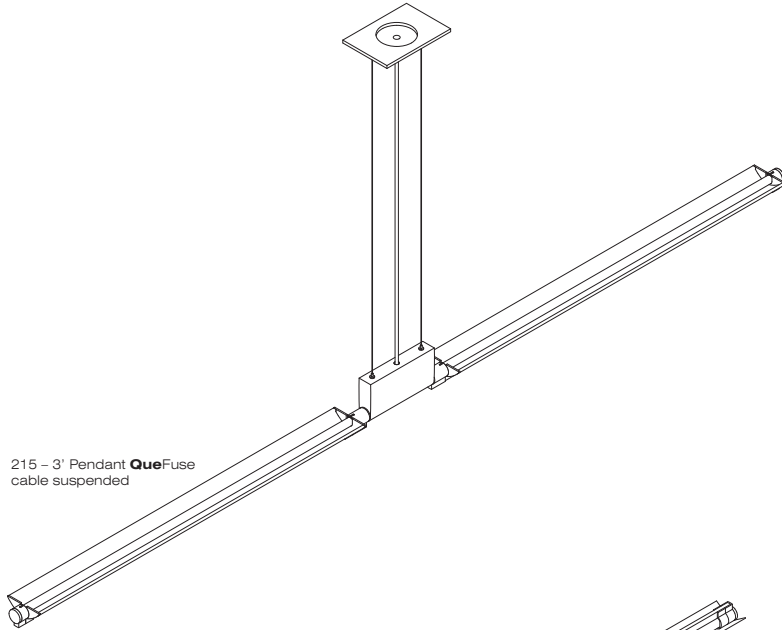
WingRail



200 Series

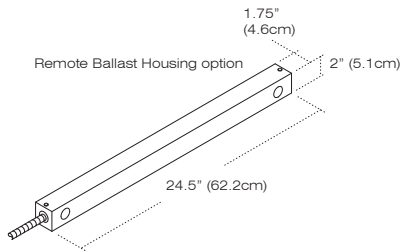
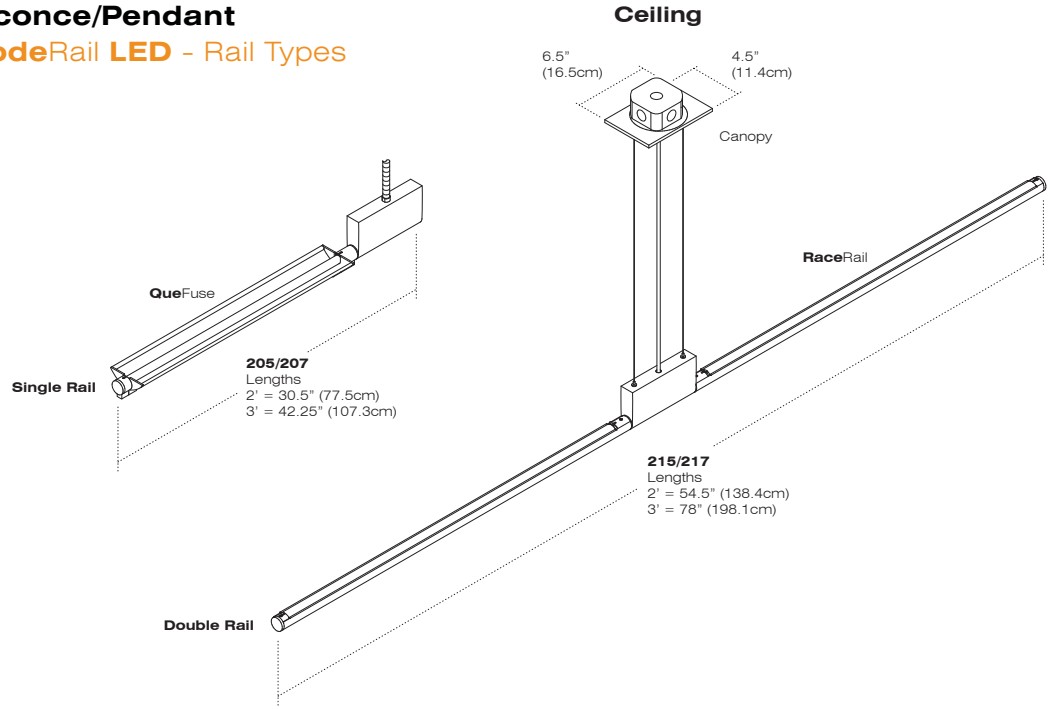
Sconce/Pendant

VodeRail LED - Example Configurations

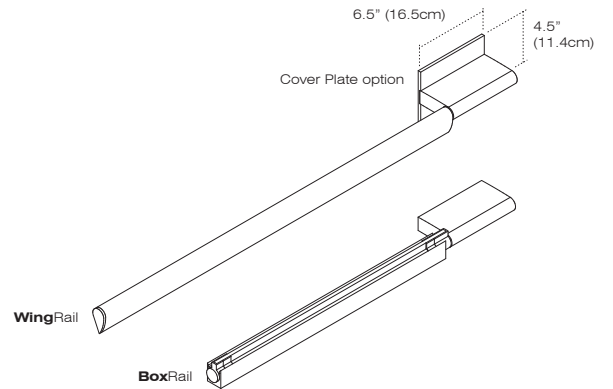
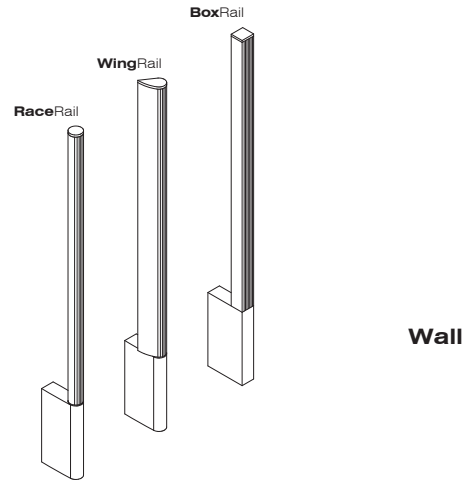




200 Series
Sconce/Pendant
VodeRail LED - Rail Types



VodeRail/LED





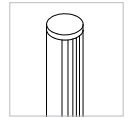
200 Series
Sconce/Pendant
VodeRail LED - Specification Sheet

Specification Code	Vode Code	Rail Type	Length	Mounting	Power Location	Power Type	Voltage	Diode Type	Color Temperature	Finish	Optics	Options
	207 217	2	3	4	5	6	7	8	9	10	11	12

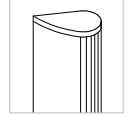
1	Vode Code 207 single rail 217 double rail														
2	Rail Type BX BoxRail RR RaceRail WL WingRail - left WR WingRail - right														
3	Length Single Rail Double Rail 01 1' (17.5" overall length) 02 2' (30.5" overall length) 03 3' (42.25" overall length) <table border="0" style="margin-left: 20px;"> <tr> <td>11 2' (2 x 1', 31.25" overall length)</td> <td>22 4' (2 x 2', 54.5" overall length)</td> </tr> <tr> <td>33 6' (2 x 3', 78" overall length)</td> <td></td> </tr> </table>	11 2' (2 x 1', 31.25" overall length)	22 4' (2 x 2', 54.5" overall length)	33 6' (2 x 3', 78" overall length)											
11 2' (2 x 1', 31.25" overall length)	22 4' (2 x 2', 54.5" overall length)														
33 6' (2 x 3', 78" overall length)															
4	Mounting CW surface SS suspension (available for double rail, 217 , only) Standard suspension hardware includes 6' clear power cord, 6' cable and 4.5" x 6.5" jbox cover.														
5	Power Location Remote Power RP no jbox cover plate RC with jbox cover plate* *standard for suspension (SS)														
6	Power Type AA non-dimming AT 0 - 10v dimming AD DALI dimming X other (please specify) LED power details on page 144.														
7	Voltage 1 120v 2 277v 4 220v														
8	Diode Type LL low power, low density - 1 LED every 4.7mm LH low power, high density - 1 LED every 2.4mm HL high power, low density - 1.2w LED, 1 LED every 50mm														
9	Color Temperature 30 warm white - 3000K 35 neutral white - 3500K 41 neutral white - 4100K CCT range +/-300K.														
10	Finish A brushed aluminum (standard) BL black anodized														
11	Optics 0 90° beam (no optic), clear dust lens TW 90° beam (no optic), translucent white dust lens LL and LH Diode Configurations A34 34° asymmetric HL Diode Configurations (BoxRail only) 8A 8° raw 16A 16° diffuse 12A 12° smooth 12B 12° x 46° spread 30A 30° diffuse 54A 54° diffuse														
12	Options 0 none 1 on/off toggle switch CP6 6' 18/3 clear power cord and plug														



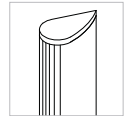
BoxRail



RaceRail



WingRail - L



WingRail - R

Due to rapid advancements in LED technology including optics and power configurations for LED, we recommend a visit to vode.com for the latest LED specifications and innovations from Vode.