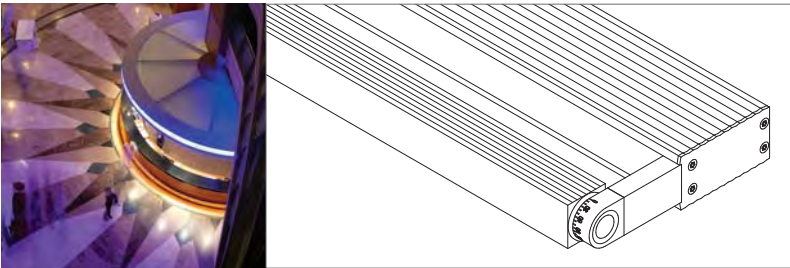
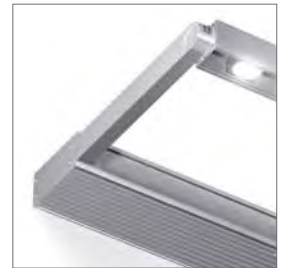




100 Series  
**MLR Bus System**  
**VodeRail & Bee+Rail T5**



**100 Series MLR Bus System** for T5HE or T5HO fluorescent. Stack, suspension, surface or cabinet mount. 2'(61.3cm) – 8'(244cm) rail lengths, depending on lamp and rail type. Patented hub design allows for 370° rotation with angle-gauge and lock-screw. Ballast housing lengths up to 12'. Brushed aluminum finish standard.



BoxRail



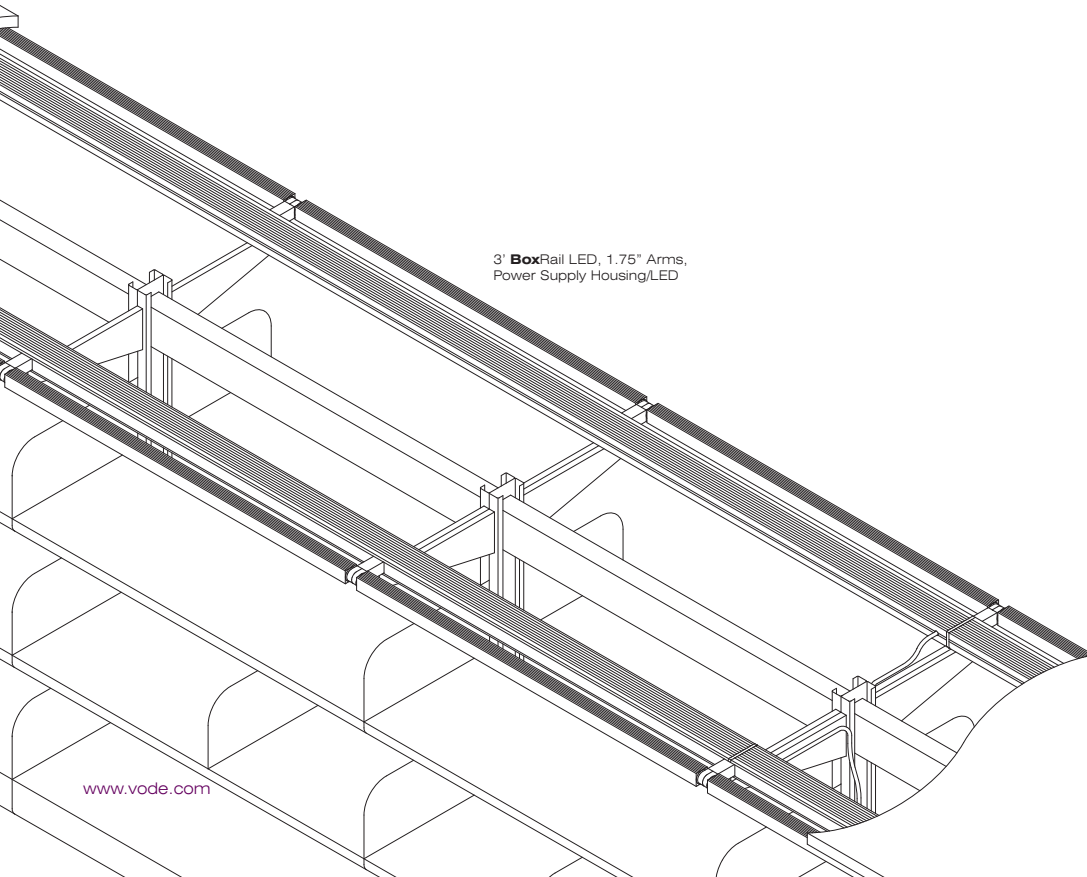
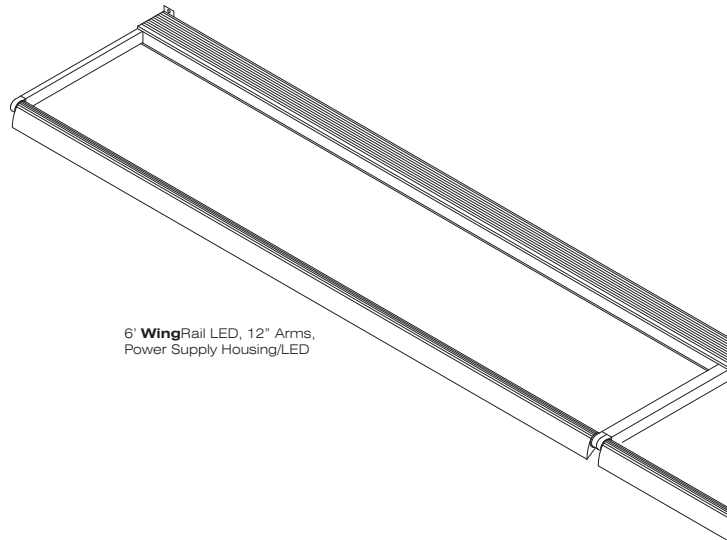
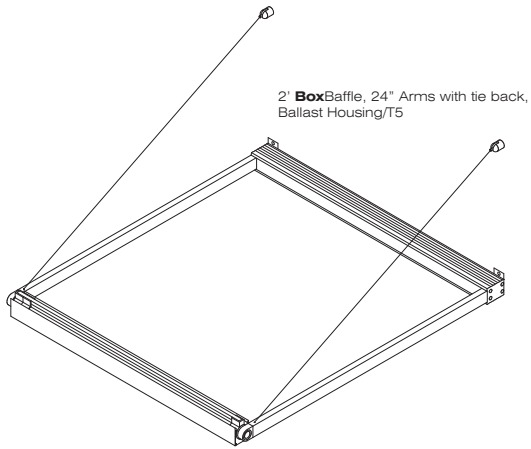
BoxRail



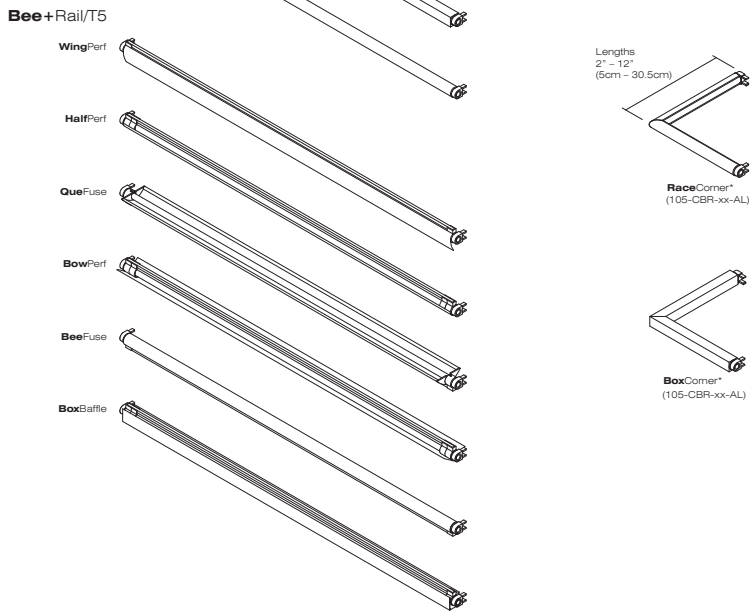
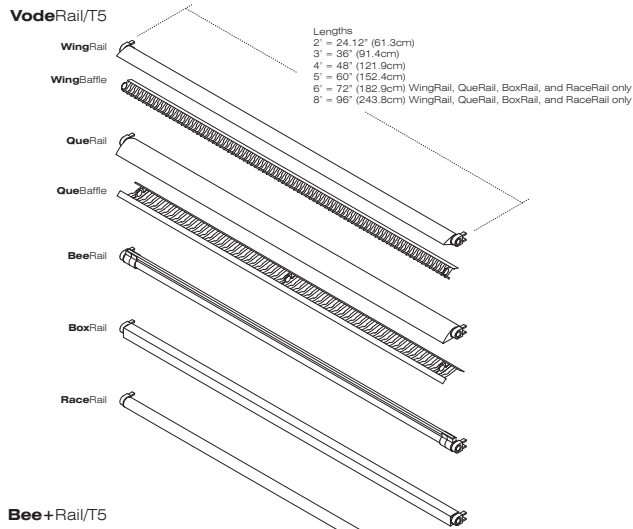
100 Series

### MLR Bus System

### VodeRail & Bee+Rail T5 - Example Configurations



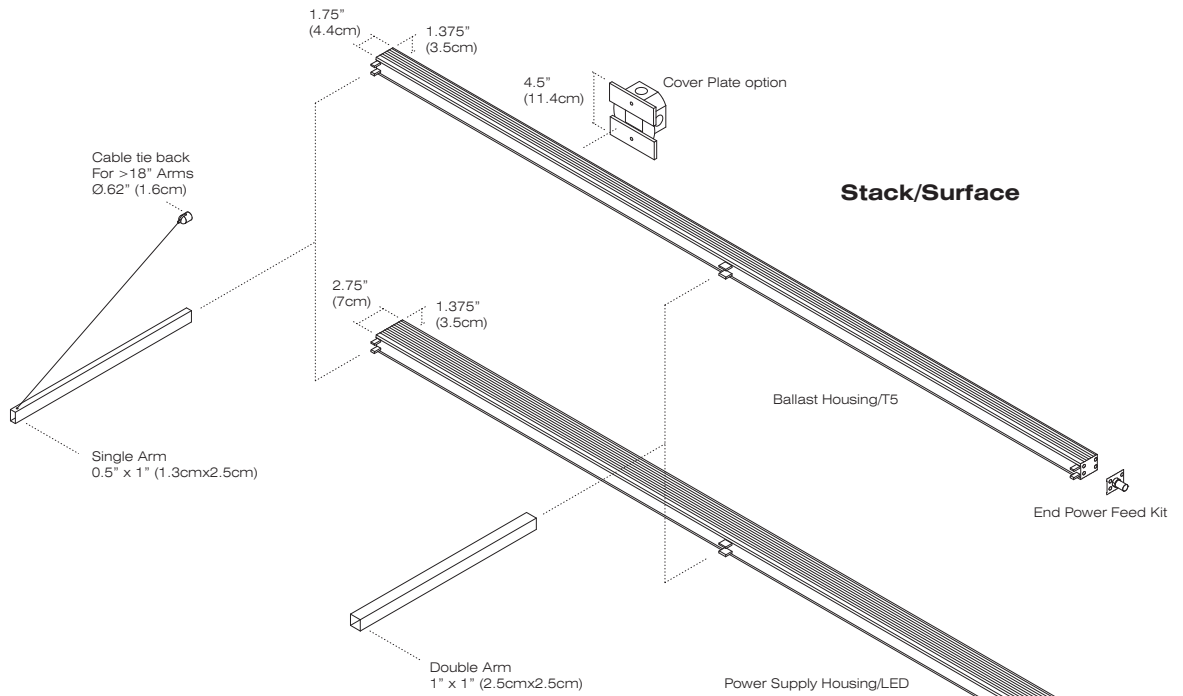
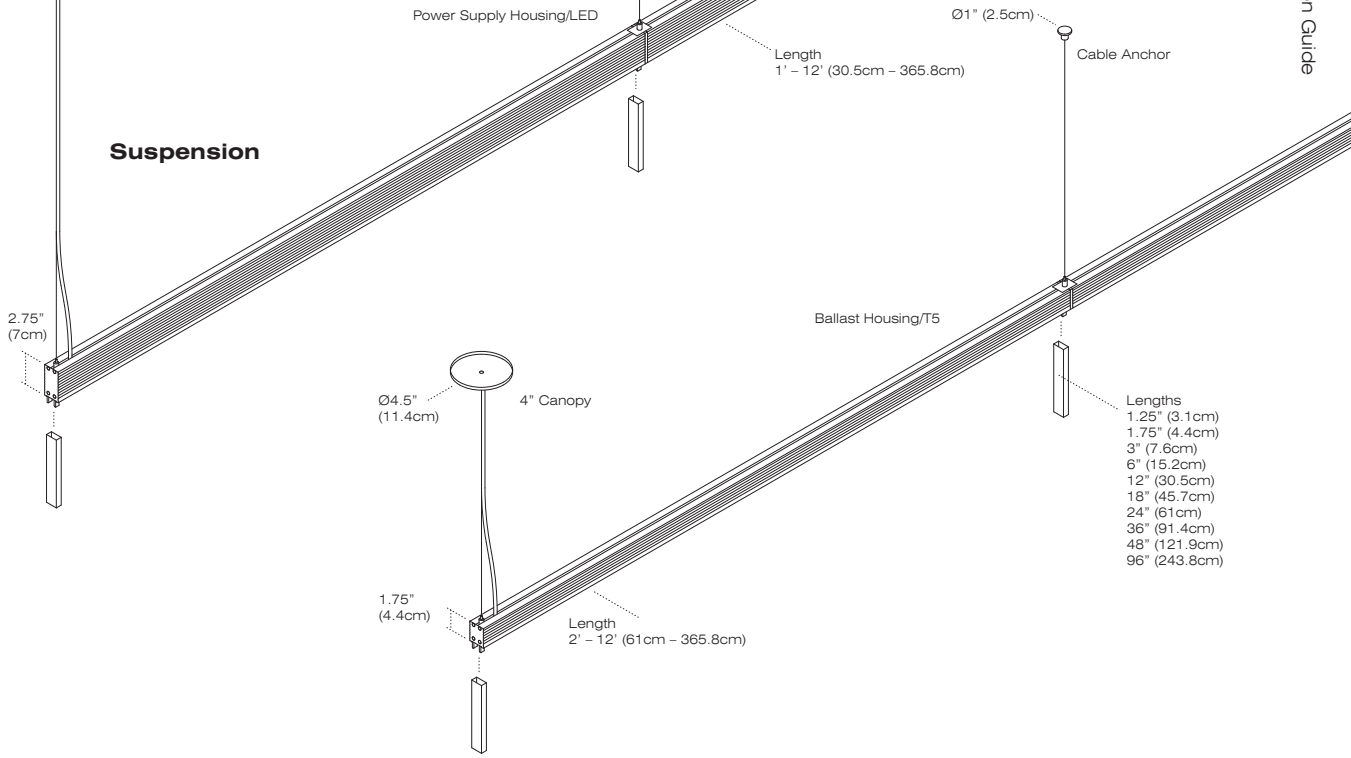
100 Series  
**MLR Bus System**  
**VodeRail & Bee+Rail T5 - Rail Types**



\*Not an illuminated product.  
 \*Must be specified separately from System Specification Code.



100 Series  
**MLR Bus System**  
**VodeRail & Bee+Rail T5 - System Components**

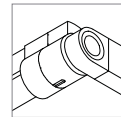




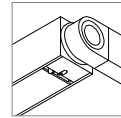
100 Series  
**MLR Bus System**  
**VodeRail T5** - Specification Sheet

Specification Code	Vode Code	Rail Type	Layout	Mounting	Arm/Cord Length	Ballast Location	Ballast Type/Voltage	Lamp Type	Finish	Lens/Baffle	Options
	<b>165</b>	<b>2</b>	<b>3</b>	<b>4</b>	<b>5</b>	<b>IB</b>	<b>7</b>	<b>8</b>	<b>9</b>	<b>10</b>	<b>11</b>

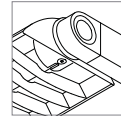
<b>1</b>	Vode Code <b>165</b>										
<b>2</b>	Rail Type <b>BE</b> BeeRail <b>BX</b> BoxRail <b>QU</b> QueRail <b>RR</b> RaceRail <b>WG</b> WingRail										
<b>3</b>	Layout See Layout Chart on page 142. Choose rail length (in feet) and corresponding "A" or "B" layout. "A" and "B" are common layouts. If "A" or "B" layouts are not desired, choose "C" (Custom Layout) and specify desired layout. Please note that <b>BeeRail</b> is limited to 5' maximum length.										
<b>4</b>	Mounting <b>WA</b> wall arm <b>SS</b> suspension + arm* <b>CA</b> ceiling arm <b>ST</b> stack  *standard suspension hardware includes 6' clear power cord, cable and 4.5" jbox covers										
<b>5</b>	Arm/Cord Length <b>1.25</b> 1.25" arm <b>12</b> 12" arm <b>48</b> 48" arm <b>1.75</b> 1.75" arm <b>18</b> 18" arm <b>96</b> 96" arm <b>3</b> 3" arm <b>24</b> 24" arm <b>60</b> 60" cable/cord <b>6</b> 6" arm <b>36</b> 36" arm <b>XX</b> custom length  Wall mounted systems include cable tie-back for arms >18".										
<b>6</b>	Ballast Location <b>IB</b> integral ballast  Series 165 ballast housings range from 2' to 12'. Vode will utilize the fewest housings possible for multi-rail layouts. See Series 165 at vode.com (vode code: 165) for ballast housing layouts for specific system lengths.										
<b>7</b>	Ballast Type <b>A</b> programmed start <b>F</b> 1% dimming (0 - 10v) <b>B</b> 10% dimming - Lutron Eco-10 <b>G</b> bi-level dimming <b>C</b> 1% dimming - Lutron Hi-lume <b>H</b> 1% DALI dimming - Lutron Hi-Lume 3D <b>D</b> 1% DALI dimming - Osram <b>I</b> instant start <b>E</b> 10% DALI dimming - Lutron Ecosystem <b>X</b> other (specify)  Maximum remote distance from 2' to 18' depending on ballast type. See Ballast Chart on page 144.										Voltage <b>1</b> 120v <b>2</b> 277v <b>3</b> 347v <b>4</b> 220v
<b>8</b>	Lamp Type <b>HE</b> high efficiency T5 <b>HO</b> high output T5 2' = 14w    5' = 35w                      2' = 24w    5' = 80w 3' = 21w    6' = (2) 21w                      3' = 39w    6' = (2) 39w 4' = 28w    8' = (2) 28w                      4' = 54w    8' = (2) 54w										
<b>9</b>	Finish <b>A</b> brushed aluminum (standard) <b>WH</b> white powdercoat <b>BL</b> black anodized										
<b>10</b>	Lens/Baffle <b>0</b> none <b>1</b> prismatic lens (option for <b>QU</b> and <b>WG</b> only, standard for <b>RR</b> and <b>BX</b> ) <b>B</b> cross baffle (option for <b>QU</b> and <b>WG</b> only) <b>S</b> indirect slot (option for <b>WG</b> , <b>BX</b> and <b>QU</b> only)  Please refer to <b>Bee+Rail</b> specification guide for accessory reflectors for <b>BeeRail</b> .										
<b>11</b>	Options <b>0</b> none <b>F</b> GLR fuse <b>1</b> on/off toggle switch <b>L</b> lamps provided (specify color temperature) <b>2</b> daylight sensor <b>CP6</b> 6' 14/3 clear power cord and plug <b>3</b> occupancy sensor <b>EP</b> conduit adaptor for end power feed										



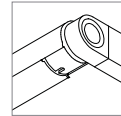
BeeRail



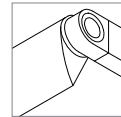
BoxRail



QueRail



RaceRail



WingRail





All Rail Types  
**Layout Chart**  
**T5 & LED**

Choose length (in feet) and corresponding "A" or "B" layout. "A" and "B" are common layouts.  
 If "A" or "B" layouts are not desired, choose "C" (custom layout) and specify desired layout.

**Please note that 1' rail length is only available with LED.**

**BeeRail and Bee+Rails are limited to 5' lengths. VodeRail/LED is limited to 6'.**

Code	1	2	3	4	5	6	7	8
------	---	---	---	---	---	---	---	---

†1A	1							
2A	2							
3A	3							
4A	4							
4B	2	2						
5A	5							
5B	2	3						
6A	6							
6B	3	3						
7A	4	3						
7B	2	3	2					
*8A	8							
8B	4	4						
9A	3	3	3					
9B	5	4						
10A	5	5						
10B	3	4	3					
11A	4	4	3					
*11B	8	3						
12A	4	4	4					
12B	6	6						
13A	4	5	4					
*13B	8	5						
*14A	6	8						
14B	5	5	4					
15A	5	5	5					
15B	6	6	3					
*16A	8	8						
16B	4	4	4	4				
17A	4	4	4	5				
17B	6	6	5					
18A	6	6	6					
18B	3	3	3	3	3	3		
19A	4	4	4	4	3			
19B	5	5	5	4				
20A	4	4	4	4	4			
20B	5	5	5	5				
21A	4	4	4	4	5			
21B	3	3	3	3	3	3		
22A	4	4	6	4	4			
22B	6	6	6	4				
23A	4	4	4	4	4	3		
23B	6	6	6	5				
*24A	8	8	8					
24B	6	6	6	6				
25A	5	5	5	5	5			
25B	4	4	4	4	4	5		
26A	3	4	4	4	4	4	3	
*26B	6	6	6	8				
27A	6	6	3	6	6			
27B	4	4	4	3	4	4	4	
28A	4	4	4	4	4	4	4	
*28B	8	8	8	4				
*29A	8	8	8	5				
29B	6	6	5	6	6			
30A	6	6	6	6	6			
30B	5	5	5	5	5	5		
*31A	8	5	5	5	8			
31B	4	4	4	4	4	4	4	3
*32A	8	8	8	8				
32B	4	4	4	4	4	4	4	4
33A	6	6	6	6	6	3		
33B	4	5	5	5	5	4		
*34A	5	8	8	8	5			
34B	3	4	4	4	4	4	4	3
35A	5	5	5	5	5	5		

Code	1	2	3	4	5	6	7	8	9	10	11	12	13	14	15	16	17
------	---	---	---	---	---	---	---	---	---	----	----	----	----	----	----	----	----

*35B	8	8	8	8	3												
36A	6	6	6	6	6	6											
36B	4	4	4	4	4	4	4	4	4								
*37A	8	8	5	8	8												
37B	4	4	4	4	4	4	4	4	4	5							
*38A	8	8	6	8	8												
*38B	6	6	6	6	6	8											
39A	6	6	6	6	6	6	3										
39B	5	5	5	5	5	5	5	4									
*40A	8	8	8	8	8												
40B	5	5	5	5	5	5	5										
41A	4	4	4	4	4	4	4	4	4	5							
41B	6	6	6	6	6	6	5										
42A	6	6	6	6	6	6	6										
*42B	5	8	8	8	8	5											
*43A	8	8	8	8	8	3											
43B	4	5	5	5	5	5	5	4									
44A	4	4	4	4	4	4	4	4	4	4	4						
*44B	8	8	8	8	8	4											
45A	5	5	5	5	5	5	5	5	5								
*45B	8	8	8	8	8	5											
*46A	8	8	8	8	8	6											
46B	6	6	6	6	6	6	6	4									
*47A	8	8	5	5	5	8	8										
47B	5	5	5	5	5	5	5	4	4	4							
*48A	8	8	8	8	8	8											
48B	6	6	6	6	6	6	6	6									
49A	5	5	5	5	5	5	5	5	4								
49B	6	6	5	5	5	5	5	6	6								
50A	5	5	5	5	5	5	5	5	5	5							
*50B	5	8	8	8	8	5											
51A	6	6	6	6	6	6	6	6	3								
*51B	8	8	8	3	8	8	8										
52A	4	4	4	4	4	4	4	4	4	4	4	4	4	4	4		
*52B	8	8	8	8	8	8	4										
*53A	8	8	8	5	8	8	8										
53B	4	5	5	5	5	5	5	5	5	5	4						
54A	6	6	6	6	6	6	6	6	6								
*54B	8	8	8	8	8	8	6										
55A	5	5	5	5	5	5	5	5	5	5	5						
*55B	8	8	8	8	8	5	5										
*56A	8	8	8	8	8	8	8										
56B	4	4	4	4	4	4	4	4	4	4	4	4	4	4	4		
57A	6	6	6	6	6	6	6	6	6	3							
*57B	8	8	8	3	3	3	8	8	8								
*58A	5	8	8	8	8	8	5										
58B	6	6	6	6	6	6	6	6	4								
59A	5	5	5	5	5	5	5	5	5	5	5	4					
*59B	8	8	8	8	8	8	8	3									
60A	4	4	4	4	4	4	4	4	4	4	4	4	4	4	4		
60B	6	6	6	6	6	6	6	6	6	6							
*61A	8	8	8	5	8	8	8	8									
61B	4	4	4	4	4	4	4	4	4	4	4	4	4	4	4	5	
*62A	8	8	8	8	8	8	6										
62B	4	6	6	6	6	6	6	6	6	4							
63A	6	6	6	6	6	6	6	6	6	6	3						
63B	4	4	4	4	4	4	4	4	4	4	4	4	4	4	4	3	
*64A	8	8	8	8	8	8	8										
64B	4	4	4	4	4	4	4	4	4	4	4	4	4	4	4	4	
65A	5	5	5	5	5	5	5	5	5	5	5	5	5	5	5		
65B	4	4	4	4	4	4	4	4	4	4	4	4	4	4	4	4	5
66A	6	6	6	6	6	6	6	6	6	6	6						
*66B	5	8	8	8	8	8	5										
*67A	8	8	8	8	8	8	8	3									
67B	5	5	5	5	5	5	5	5	5	5	5	4	4	4			
*68A	8	8	8	8	8	8	8	8	4								

† available for VodeRail/LED only  
 \* available for VodeRail T5 only



All Rail Types  
**Layout Chart**  
**T5 & LED**

Choose length (in feet) and corresponding "A" or "B" layout. "A" and "B" are common layouts.  
 If "A" or "B" layouts are not desired, choose "C" (custom layout) and specify desired layout.

**Please note that 1' rail length is only available with LED.**

**BeeRail and Bee+Rails are limited to 5' lengths. VodeRail/LED is limited to 6'.**

Code	1	2	3	4	5	6	7	8	9	10	11	12	13	14	15	16	17	18	19	20	21	22	23	24
68B	4	4	4	4	4	4	4	4	4	4	4	4	4	4	4	4								
69A	6	6	6	6	6	6	6	6	6	6	6	6	6	6	6	6	3							
*69B	8	8	8	8	8	8	8	8	8	8	8	5												
*70A	8	8	8	8	8	8	8	8	8	6														
70B	5	5	5	5	5	5	5	5	5	5	5	5	5	5										
*71A	8	5	5	5	5	5	5	5	5	5	5	5	5	5	5	8								
71B	4	4	4	4	4	4	4	4	4	4	4	4	4	4	4	4	4	4	3					
*72A	8	8	8	8	8	8	8	8	8															
72B	6	6	6	6	6	6	6	6	6	6	6	6	6	6	6									
73A	4	4	4	4	4	4	4	4	4	4	4	4	4	4	4	4	4	5						
*73B	8	3	8	8	8	3	8	8	3	8														
*74A	5	8	8	8	8	8	8	8	8	5														
74B	4	6	6	6	6	6	6	6	6	6	6	6	4											
75A	5	5	5	5	5	5	5	5	5	5	5	5	5	5	5	5	5							
75B	6	6	6	6	6	6	6	6	6	6	6	6	6	3										
*76A	8	8	8	8	8	8	8	8	8	4														
76B	4	4	4	4	4	4	4	4	4	4	4	4	4	4	4	4	4	4	4	4				
*77A	8	8	8	8	8	8	8	8	8	5														
77B	4	4	4	4	4	4	4	4	4	4	4	4	4	4	4	4	4	4	5					
78A	6	6	6	6	6	6	6	6	6	6	6	6	6											
*78B	8	8	8	8	8	8	8	8	8	6														
*79A	8	8	8	8	8	8	8	8	5	5														
79B	5	5	5	5	5	5	5	5	5	5	5	5	5	5	5	4								
*80A	8	8	8	8	8	8	8	8	8															
80B	5	5	5	5	5	5	5	5	5	5	5	5	5	5	5	5								
81A	6	6	6	6	6	6	6	6	6	6	6	6	6	3										
81B	4	4	4	4	4	4	4	4	4	4	4	4	4	4	4	4	4	4	5					
*82A	5	8	8	8	8	8	8	8	8	8	5													
82B	6	6	6	6	6	6	6	6	6	6	6	6	6	4										
*83A	8	8	8	8	8	8	8	8	8	3														
83B	4	4	4	4	4	4	4	4	4	4	4	4	4	4	4	4	4	4	3					
84A	6	6	6	6	6	6	6	6	6	6	6	6	6	6										
*84B	8	8	8	8	8	8	8	8	8	8	4													
85A	5	5	5	5	5	5	5	5	5	5	5	5	5	5	5	5	5							
*85B	8	8	8	8	8	8	8	8	8	5														
*86A	8	8	8	8	8	8	8	8	8	6														
*86B	6	6	6	6	6	6	6	6	6	6	6	6	6	8										
87A	6	6	6	6	6	6	6	6	6	6	6	6	6	3										
*87B	8	8	8	8	8	8	8	8	8	5	5													
*88A	8	8	8	8	8	8	8	8	8	8														
88B	6	6	6	6	6	6	6	6	6	6	6	6	6	4										
*89A	8	8	8	8	8	8	8	8	8	3	3	3												
89B	5	5	5	5	5	5	5	5	5	5	5	5	5	5	5	5	4							
90A	6	6	6	6	6	6	6	6	6	6	6	6	6	6	6	6								
90B	5	5	5	5	5	5	5	5	5	5	5	5	5	5	5	5	5							
*91A	8	8	8	8	8	8	8	8	8	8	3													
91B	4	4	4	4	4	4	4	4	4	4	4	4	4	4	4	4	4	4	4	3				
*92A	8	8	8	8	8	8	8	8	8	8	4													
92B	4	6	6	6	6	6	6	6	6	6	6	6	6	4										
93A	6	6	6	6	6	6	6	6	6	6	6	6	6	3										
*93B	8	8	8	8	8	8	8	8	8	8	5													
*94A	8	8	8	8	8	8	8	8	8	8	6													
94B	6	6	6	6	6	6	6	6	6	6	6	6	6	4										
95A	5	5	5	5	5	5	5	5	5	5	5	5	5	5	5	5	5							
*95B	8	8	8	8	8	8	8	8	8	8	5	5												
*96A	8	8	8	8	8	8	8	8	8	8														
96B	6	6	6	6	6	6	6	6	6	6	6	6	6	6	6	6								
*97A	8	8	8	8	8	8	8	8	8	3	3	3												
97B	4	4	4	4	4	4	4	4	4	4	4	4	4	4	4	4	4	4	4	5				
*98A	5	8	8	8	8	8	8	8	8	8	5													
98B	4	6	6	6	6	6	6	6	6	6	6	6	6	4										
99A	6	6	6	6	6	6	6	6	6	6	6	6	6	3										
*99B	8	8	8	8	8	8	8	8	8	8	3													
*100A	8	8	8	8	8	8	8	8	8	8	4													
100B	5	5	5	5	5	5	5	5	5	5	5	5	5	5	5	5	5							

† available for VodeRail/LED only  
 \* available for VodeRail T5 only