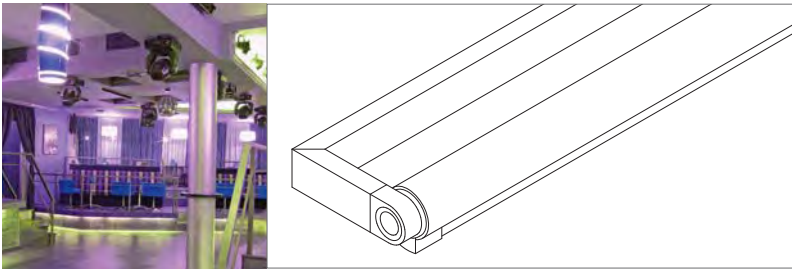
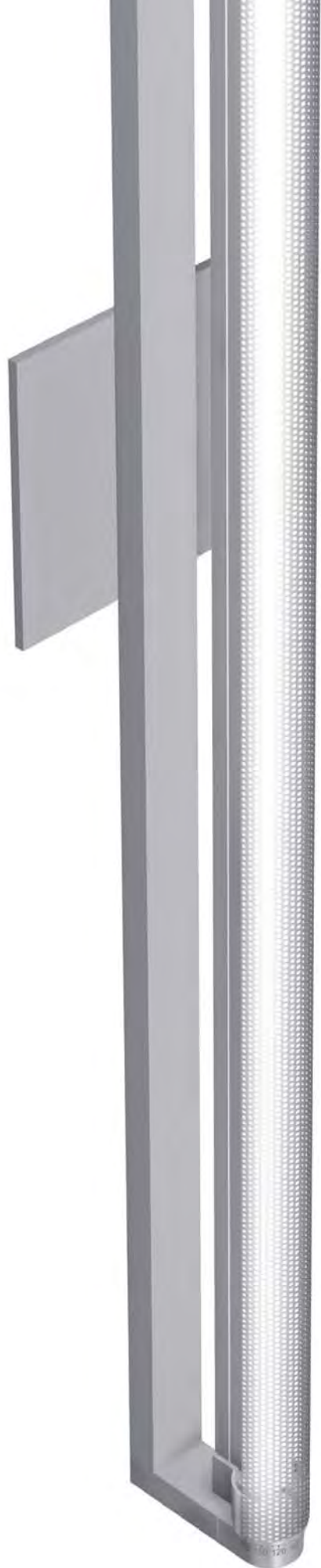




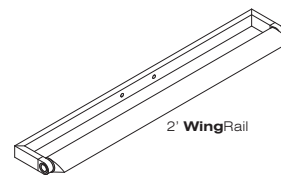
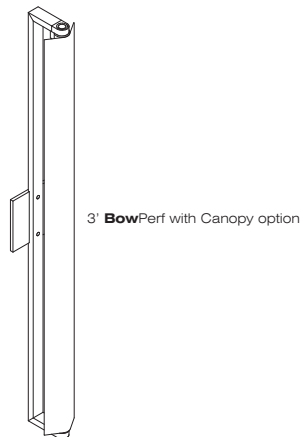
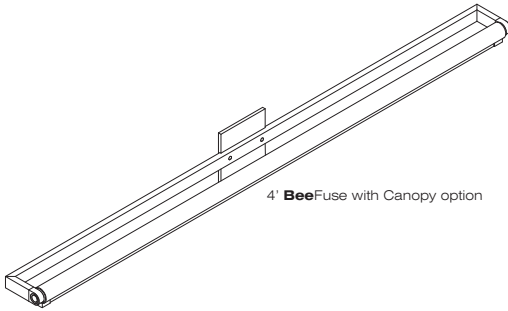
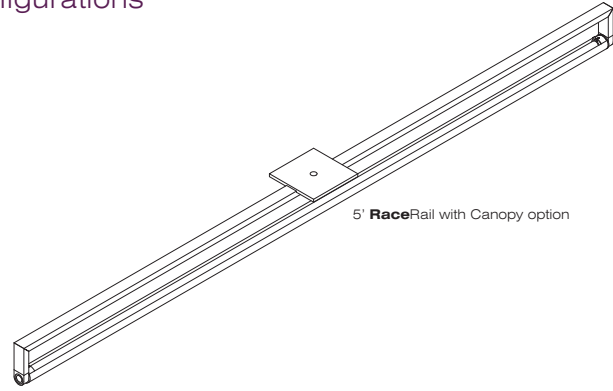
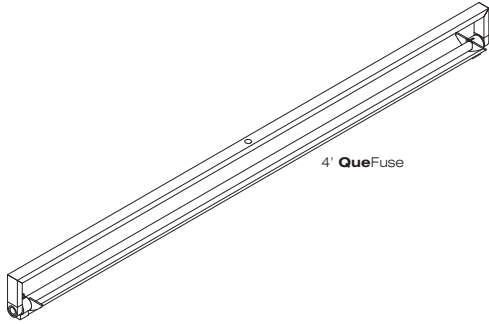
100 Series
MLR Monopoint
VodeRail LED



100 Series MLR Monopoint for LED. Wall or ceiling mount. 1' (31.5cm) – 5' (152.4cm) lengths available. Patented hub design allows for 370° rotation with angle-gauge and lock-screw. Brushed aluminum finish standard.

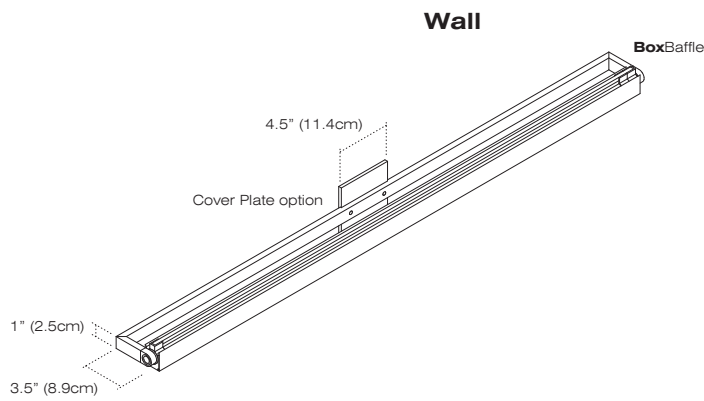
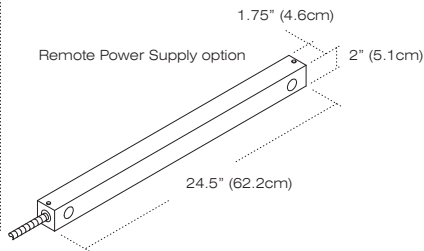
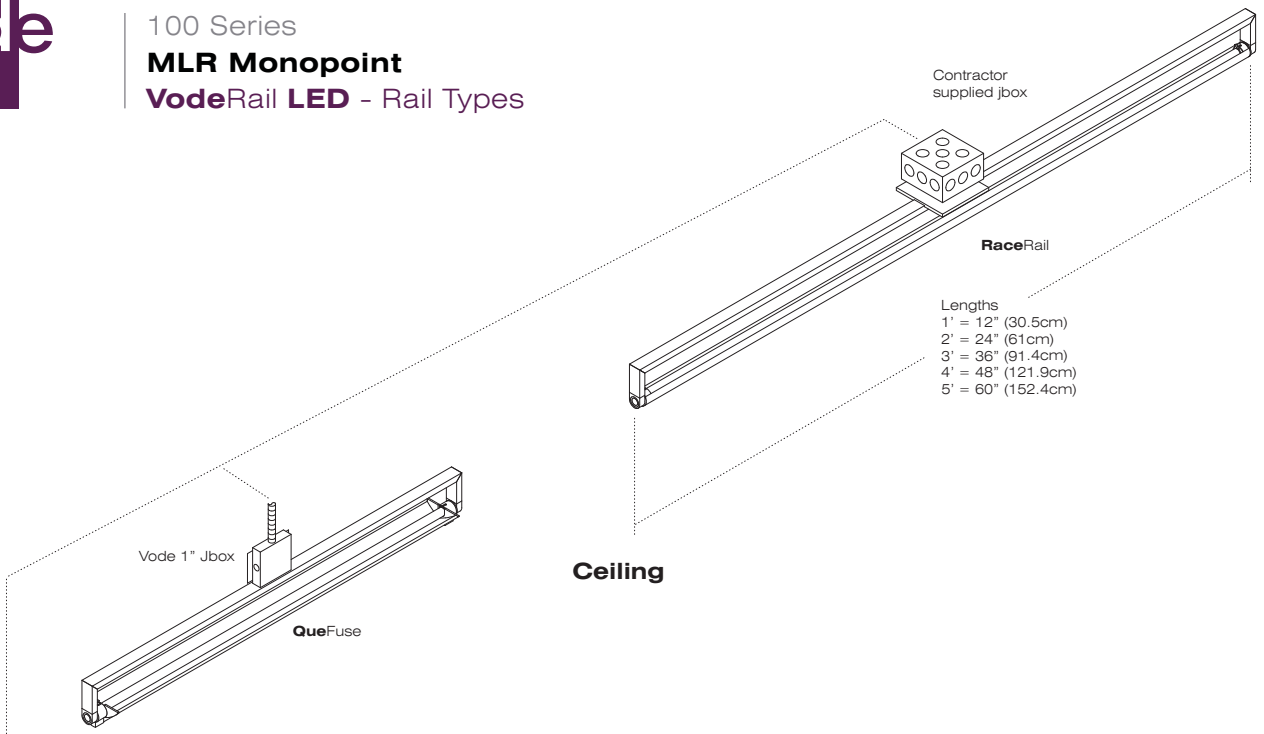


100 Series
MLR Monopoint
VodeRail LED - Example Configurations

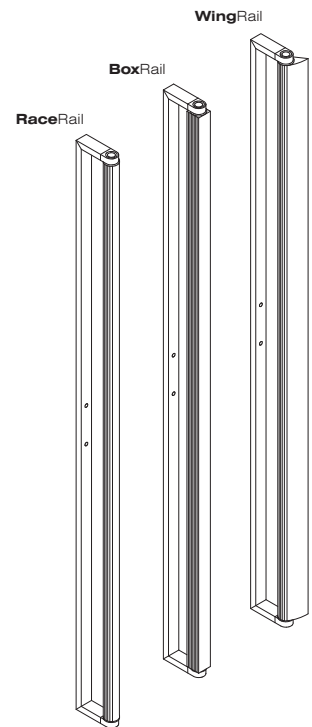




100 Series
MLR Monopoint
VodeRail LED - Rail Types



VodeRail/LED

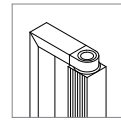




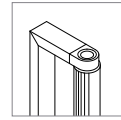
100 Series
MLR Monopoint
VodeRail LED - Specification Sheet

Specification Code	Vode Code	Rail Type	Rail Length	Canopy Type	Power Type	Voltage	Diode Type	Color Temperature	Finish	Optics	Options
	137	2	3	4	5	6	7	8	9	10	11

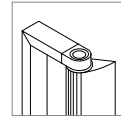
1	Vode Code 137										
2	Rail Type BX BoxRail RR RaceRail WG WingRail										
3	Rail Length 2 24" 3 36" 4 48" 5 60"										
4	Canopy Type Remote Ballast RB no jbox cover plate RC with jbox cover plate										
5	Power Type AA non-dimming AT 0 - 10v dimming AD DALI dimming X other (please specify) LED power details on page 142.										
6	Voltage 1 120v 2 277v 4 220v										
7	Diode Type LL low power, low density - 1 LED every 4.7mm LH low power, high density - 1 LED every 2.4mm HL high power, low density - 1.2w LED, 1 LED every 50mm										
8	Color Temperature 30 warm white - 3000K 35 neutral white - 3500K 41 neutral white - 4100K CCT range +/-300K.										
9	Finish A brushed aluminum (standard) BL black anodized										
10	Optics 0 90° beam (no optic), clear dust lens TW 90° beam (no optic), translucent white dust lens LL and LH Diode Configurations A34 34° asymmetric HL Diode Configurations (BoxRail only) 8A 8° raw 12B 12° x 46° spread 30A 30° diffuse 12A 12° smooth 16A 16° diffuse 54A 54° diffuse										
11	Options 0 none CP6 6' 18/3 clear power cord and plug										



BoxRail



RaceRail



WingRail

Due to rapid advancements in LED technology including optics and power configurations for LED, we recommend a visit to vode.com for the latest LED specifications and innovations from Vode.