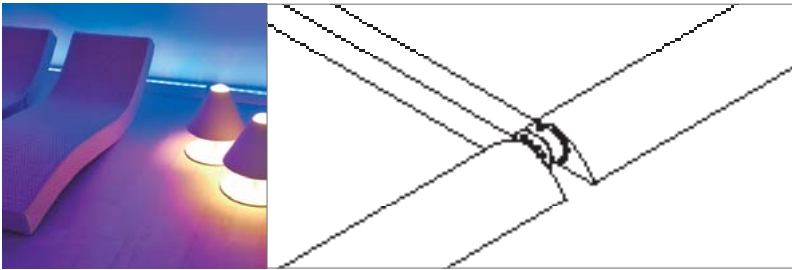




100 Series  
**MLR Sidekick System**  
**VodeRail LED**



**100 Series MLR SideKick System** for LED. Stack or suspension mount. Single-sided or double-sided option. 1'(30.5cm) – 6'(182.9cm). Quick-connect wiring harness standard. Patented hub design with 370° rotation, angle-gauge and lock-screw. Brushed aluminum finish standard.



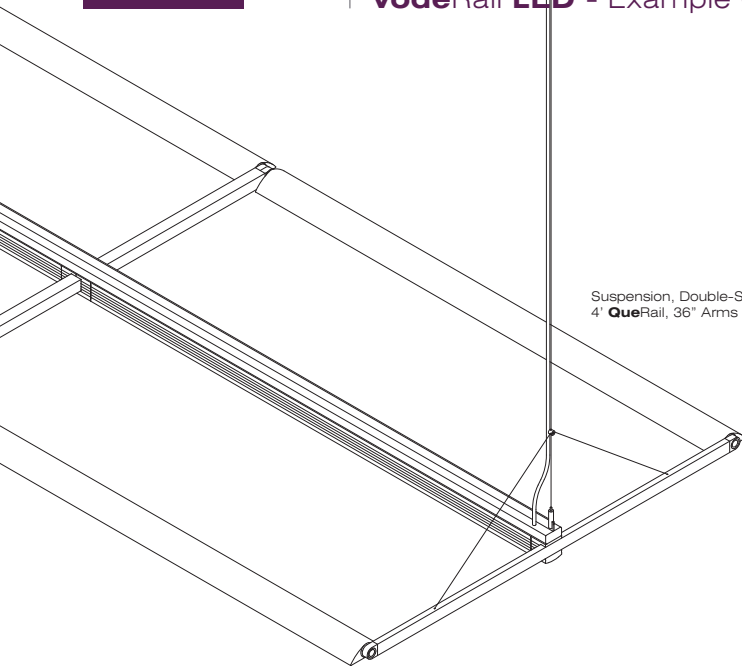
WingRail



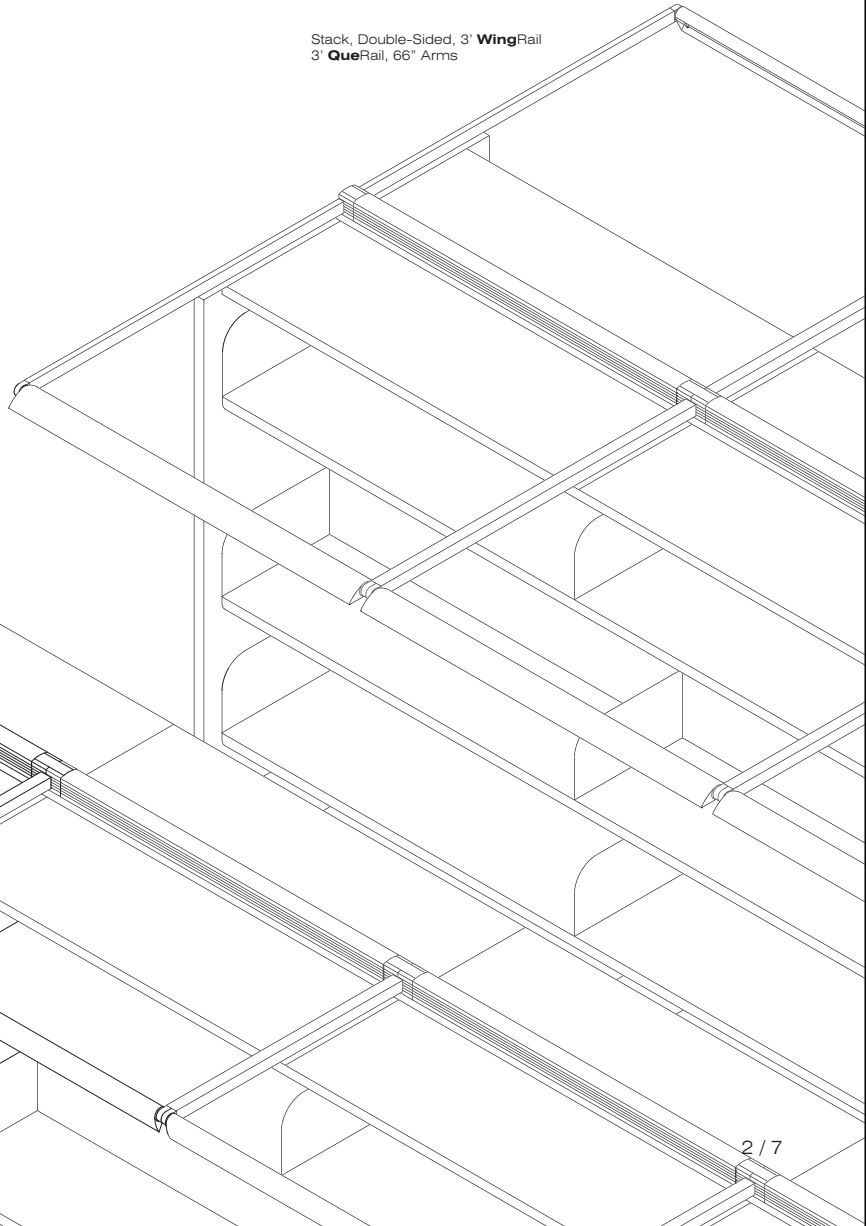
QueRail with slots



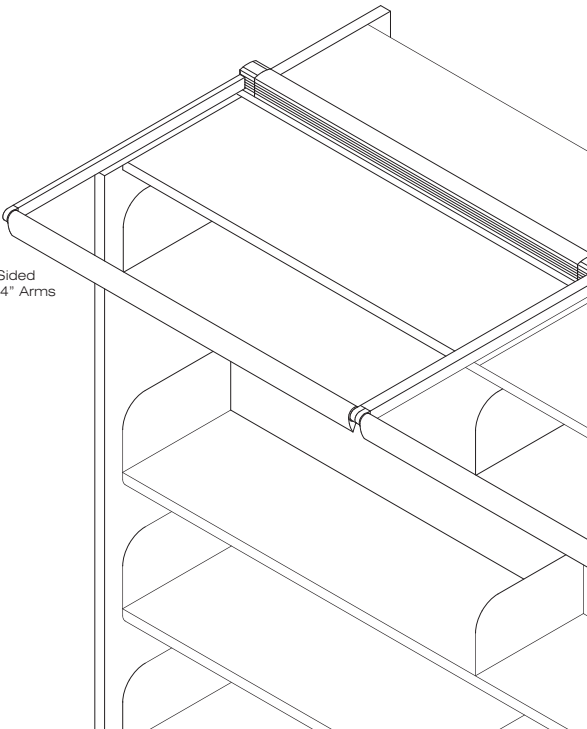
100 Series  
**MLR SideKick System**  
**VodeRail LED** - Example Configurations



Suspension, Double-Sided  
4' **Que**Rail, 36" Arms



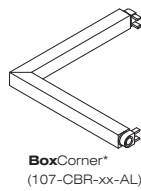
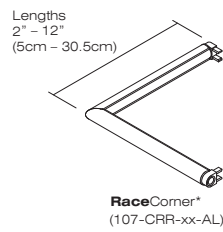
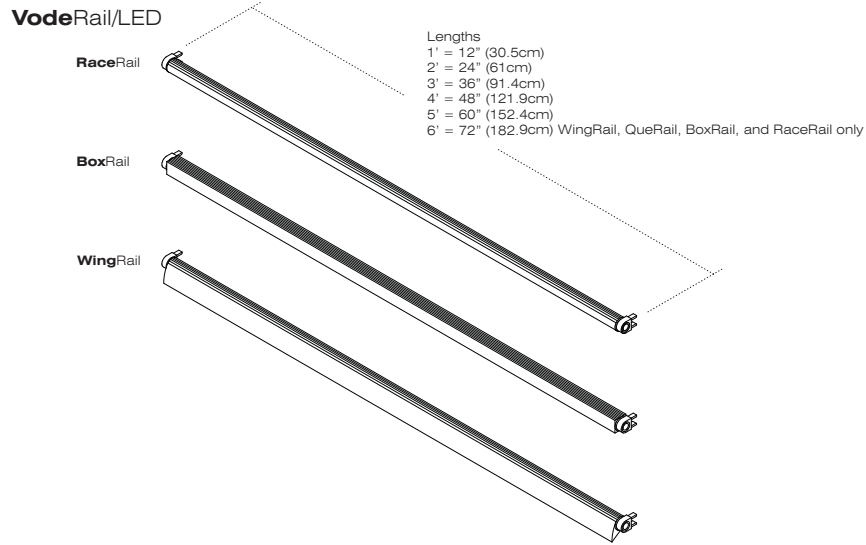
Stack, Double-Sided, 3' **Wing**Rail  
3' **Que**Rail, 66" Arms



Stack, Single-Sided  
3' **Wing**Rail, 24" Arms



100 Series  
**MLR SideKick System**  
**VodeRail LED - Rail Types**

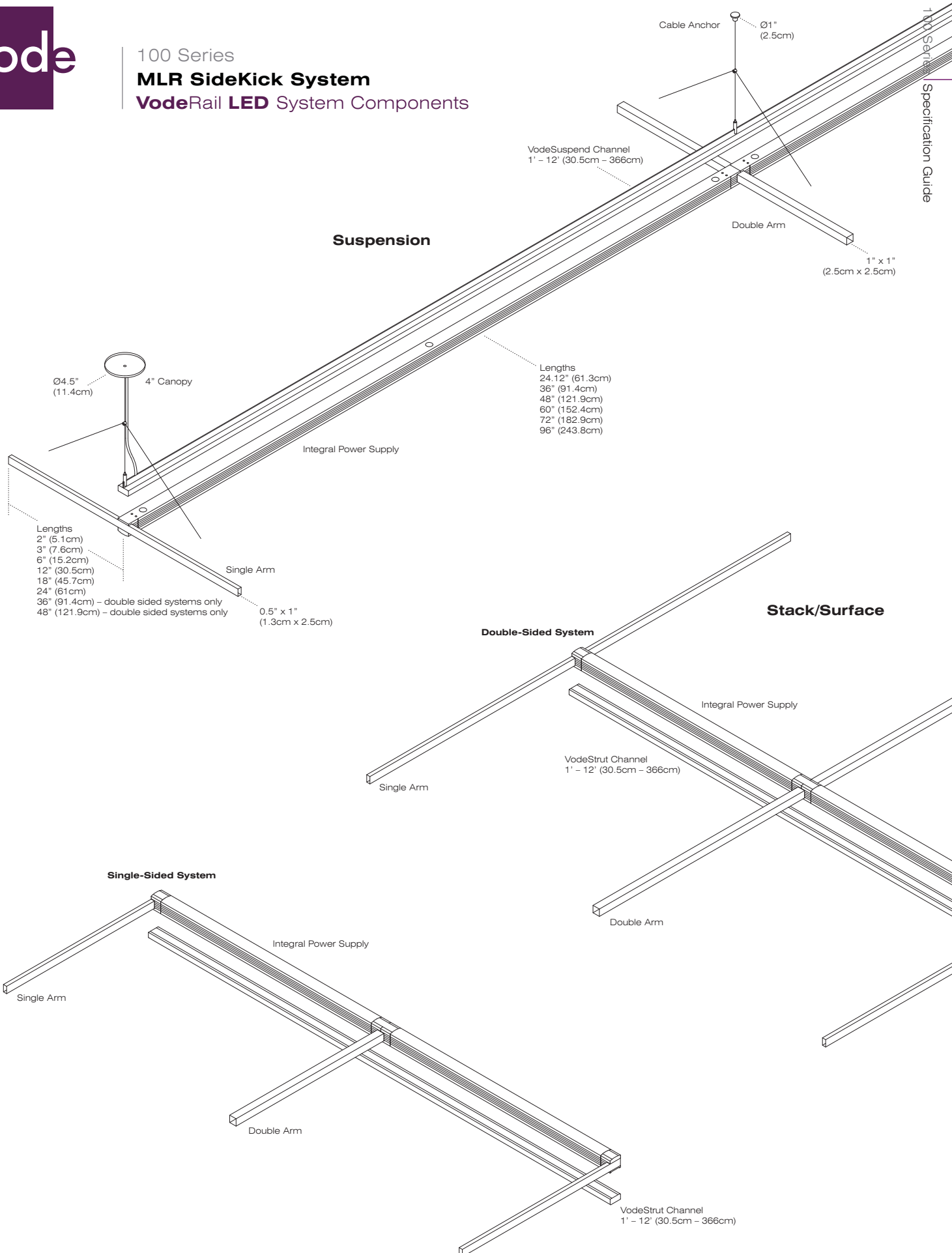


\*Not an illuminated product.  
\*Must be specified separately from System Specification Code.



100 Series  
**MLR SideKick System**  
**VodeRail LED System Components**

100 Series Specification Guide

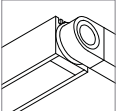
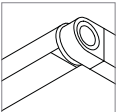
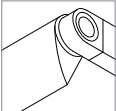




100 Series  
**MLR SideKick System**  
**VodeRail LED - Specification Sheet**

Specification Code

Rail Type	Single/Double Rail	Layout	Mounting	Arm/Cord Length	Power Location	Power/Voltage	Diode Type	Color Temperature	Finish	Optics	Options
<b>1</b>	<b>2</b>	<b>3</b>	<b>4</b>	<b>5</b>	<b>IP</b>	<b>7</b>	<b>8</b>	<b>9</b>	<b>10</b>	<b>11</b>	<b>12</b>

<b>1</b>	<b>Rail Type</b> <b>BX</b> BoxRail <b>RR</b> RaceRail <b>WG</b> WingRail			 BoxRail							
<b>2</b>	<b>Single/Double Rail</b> <b>K1</b> single-sided <b>K2</b> double-sided			 RaceRail							
<b>3</b>	<b>Layout</b> See Layout Chart on page 142. Choose length (in feet) and corresponding "A" or "B" layout. "A" and "B" are common layouts. If "A" or "B" layouts are not desired, choose "C" (Custom Layout) and specify desired layout. Please note that <b>VodeRail</b> LED sections are limited to 6' maximum length.										
<b>4</b>	<b>Mounting</b> <b>ST</b> stack/surface <b>SV</b> stack/surface with <b>VodeStrut</b> <b>SS</b> suspension*  *available for double-sided ( <b>K2</b> ) systems only Standard suspension hardware includes <b>VodeSuspend</b> Channel, 6' power cord, cable and 4.5" jbox cover.			 WingRail							
<b>5</b>	<b>Arm/Cord Length</b> <b>2</b> 2" arm <b>18</b> 18" arm <b>48</b> 48" arm (maximum)* <b>3</b> 3" arm <b>24</b> 24" arm <b>60</b> 60" cable/cord <b>6</b> 6" arm <b>36</b> 36" arm* <b>XX</b> custom length <b>12</b> 12" arm			*single-sided ( <b>K1</b> ) arms cannot exceed 24". Arm length is calculated from center of ballast housing.							
<b>6</b>	<b>Power Location</b> <b>IP</b> integral power										
<b>7</b>	<b>Power</b> <b>AA</b> non-dimming <b>AD</b> DALI dimming <b>AT</b> 0 - 10v dimming <b>XX</b> other (please specify)			<b>Voltage</b> <b>1</b> 120v <b>2</b> 277v <b>4</b> 220v			LED power details on page 144.				
<b>8</b>	<b>Diode Type</b> <b>LL</b> low power, low density - 1 LED every 4.7mm <b>LH</b> low power, high density - 1 LED every 2.4mm <b>HL</b> high power, low density - 1.2w LED, 1 LED every 50mm										
<b>9</b>	<b>Color Temperature</b> <b>30</b> warm white - 3000K <b>35</b> neutral white - 3500K <b>41</b> neutral white - 4100K  CCT range +/-300K.										
<b>10</b>	<b>Finish</b> <b>A</b> brushed aluminum (standard) <b>BL</b> black anodized										
<b>11</b>	<b>Optics</b> <b>0</b> 90° beam (no optic), clear dust lens <b>TW</b> 90° beam (no optic), translucent white dust lens  <b>LL and LH Diode Configurations</b> <b>A34</b> 34° asymmetric  <b>HL Diode Configurations (BoxRail only)</b> <b>8A</b> 8° raw <b>12B</b> 12° x 46° spread <b>30A</b> 30° diffuse <b>12A</b> 12° smooth <b>16A</b> 16° diffuse <b>54A</b> 54° diffuse										
<b>12</b>	<b>Options</b> <b>0</b> none <b>1</b> on/off toggle switch <b>2</b> daylight sensor			<b>3</b> occupancy sensor <b>CP6</b> 6' 14/3 clear power cord and plug <b>EP</b> conduit adapter for end power feed							

Due to rapid advancements in LED technology including optics and power configurations for LED, we recommend a visit to [vode.com](http://vode.com) for the latest LED specifications and innovations from Vode.



All Rail Types  
**Layout Chart**  
**T5 & LED**

Choose length (in feet) and corresponding "A" or "B" layout. "A" and "B" are common layouts.  
 If "A" or "B" layouts are not desired, choose "C" (custom layout) and specify desired layout.

**Please note that 1' rail length is only available with LED.**

**BeeRail and Bee+Rails are limited to 5' lengths. VodeRail/LED is limited to 6'.**

Code	1	2	3	4	5	6	7	8
------	---	---	---	---	---	---	---	---

†1A	1							
2A	2							
3A	3							
4A	4							
4B	2	2						
5A	5							
5B	2	3						
6A	6							
6B	3	3						
7A	4	3						
7B	2	3	2					
*8A	8							
8B	4	4						
9A	3	3	3					
9B	5	4						
10A	5	5						
10B	3	4	3					
11A	4	4	3					
*11B	8	3						
12A	4	4	4					
12B	6	6						
13A	4	5	4					
*13B	8	5						
*14A	6	8						
14B	5	5	4					
15A	5	5	5					
15B	6	6	3					
*16A	8	8						
16B	4	4	4	4				
17A	4	4	4	5				
17B	6	6	5					
18A	6	6	6					
18B	3	3	3	3	3	3		
19A	4	4	4	4	3			
19B	5	5	5	4				
20A	4	4	4	4	4			
20B	5	5	5	5				
21A	4	4	4	4	5			
21B	3	3	3	3	3	3		
22A	4	4	6	4	4			
22B	6	6	6	4				
23A	4	4	4	4	4	3		
23B	6	6	6	5				
*24A	8	8	8					
24B	6	6	6	6				
25A	5	5	5	5	5			
25B	4	4	4	4	4	5		
26A	3	4	4	4	4	4	3	
*26B	6	6	6	8				
27A	6	6	3	6	6			
27B	4	4	4	3	4	4	4	
28A	4	4	4	4	4	4	4	
*28B	8	8	8	4				
*29A	8	8	8	5				
29B	6	6	5	6	6			
30A	6	6	6	6	6			
30B	5	5	5	5	5	5		
*31A	8	5	5	5	8			
31B	4	4	4	4	4	4	4	3
*32A	8	8	8	8				
32B	4	4	4	4	4	4	4	4
33A	6	6	6	6	6	3		
33B	4	5	5	5	5	4		
*34A	5	8	8	8	5			
34B	3	4	4	4	4	4	4	3
35A	5	5	5	5	5	5		

Code	1	2	3	4	5	6	7	8	9	10	11	12	13	14	15	16	17
------	---	---	---	---	---	---	---	---	---	----	----	----	----	----	----	----	----

*35B	8	8	8	8	3												
36A	6	6	6	6	6	6											
36B	4	4	4	4	4	4	4	4	4								
*37A	8	8	5	8	8												
37B	4	4	4	4	4	4	4	4	4	5							
*38A	8	8	6	8	8												
*38B	6	6	6	6	6	8											
39A	6	6	6	6	6	6	3										
39B	5	5	5	5	5	5	5	4									
*40A	8	8	8	8	8												
40B	5	5	5	5	5	5	5	5									
41A	4	4	4	4	4	4	4	4	4	5							
41B	6	6	6	6	6	6	5										
42A	6	6	6	6	6	6	6										
*42B	5	8	8	8	8	5											
*43A	8	8	8	8	8	3											
43B	4	5	5	5	5	5	5	4									
44A	4	4	4	4	4	4	4	4	4	4	4						
*44B	8	8	8	8	8	4											
45A	5	5	5	5	5	5	5	5	5								
*45B	8	8	8	8	8	5											
*46A	8	8	8	8	8	6											
46B	6	6	6	6	6	6	6	4									
*47A	8	8	5	5	5	8	8										
47B	5	5	5	5	5	5	5	4	4	4							
*48A	8	8	8	8	8	8											
48B	6	6	6	6	6	6	6	6									
49A	5	5	5	5	5	5	5	5	4								
49B	6	6	5	5	5	5	5	6	6								
50A	5	5	5	5	5	5	5	5	5	5							
*50B	5	8	8	8	8	5											
51A	6	6	6	6	6	6	6	6	3								
*51B	8	8	8	3	8	8	8										
52A	4	4	4	4	4	4	4	4	4	4	4	4	4	4	4		
*52B	8	8	8	8	8	8	4										
*53A	8	8	8	5	8	8	8										
53B	4	5	5	5	5	5	5	5	5	5	4						
54A	6	6	6	6	6	6	6	6	6								
*54B	8	8	8	8	8	6											
55A	5	5	5	5	5	5	5	5	5	5	5						
*55B	8	8	8	8	8	5	5										
*56A	8	8	8	8	8	8	8										
56B	4	4	4	4	4	4	4	4	4	4	4	4	4	4	4		
57A	6	6	6	6	6	6	6	6	6	3							
*57B	8	8	8	3	3	3	8	8	8								
*58A	5	8	8	8	8	8	5										
58B	6	6	6	6	6	6	6	6	4								
59A	5	5	5	5	5	5	5	5	5	5	5	4					
*59B	8	8	8	8	8	8	3										
60A	4	4	4	4	4	4	4	4	4	4	4	4	4	4	4		
60B	6	6	6	6	6	6	6	6	6	6							
*61A	8	8	8	5	8	8	8										
61B	4	4	4	4	4	4	4	4	4	4	4	4	4	4	4	5	
*62A	8	8	8	8	8	8	6										
62B	4	6	6	6	6	6	6	6	6	4							
63A	6	6	6	6	6	6	6	6	6	6	3						
63B	4	4	4	4	4	4	4	4	4	4	4	4	4	4	4	3	
*64A	8	8	8	8	8	8	8										
64B	4	4	4	4	4	4	4	4	4	4	4	4	4	4	4	4	
65A	5	5	5	5	5	5	5	5	5	5	5	5	5	5	5		
65B	4	4	4	4	4	4	4	4	4	4	4	4	4	4	4	4	5
66A	6	6	6	6	6	6	6	6	6	6	6						
*66B	5	8	8	8	8	8	5										
*67A	8	8	8	8	8	8	8	3									
67B	5	5	5	5	5	5	5	5	5	5	5	4	4	4			
*68A	8	8	8	8	8	8	8	8	4								

† available for VodeRail/LED only  
 \* available for VodeRail T5 only



All Rail Types  
**Layout Chart**  
**T5 & LED**

Choose length (in feet) and corresponding "A" or "B" layout. "A" and "B" are common layouts.  
 If "A" or "B" layouts are not desired, choose "C" (custom layout) and specify desired layout.

**Please note that 1' rail length is only available with LED.**

**BeeRail and Bee+Rails are limited to 5' lengths. VodeRail/LED is limited to 6'.**

Code	1	2	3	4	5	6	7	8	9	10	11	12	13	14	15	16	17	18	19	20	21	22	23	24
68B	4	4	4	4	4	4	4	4	4	4	4	4	4	4	4	4								
69A	6	6	6	6	6	6	6	6	6	6	6	6	6	6	6	6	3							
*69B	8	8	8	8	8	8	8	8	8	8	8	5												
*70A	8	8	8	8	8	8	8	8	8	6														
70B	5	5	5	5	5	5	5	5	5	5	5	5	5	5										
*71A	8	5	5	5	5	5	5	5	5	5	5	5	5	5	5	8								
71B	4	4	4	4	4	4	4	4	4	4	4	4	4	4	4	4	4	4	3					
*72A	8	8	8	8	8	8	8	8	8															
72B	6	6	6	6	6	6	6	6	6	6	6	6	6	6	6									
73A	4	4	4	4	4	4	4	4	4	4	4	4	4	4	4	4	4	5						
*73B	8	3	8	8	8	3	8	8	3	8														
*74A	5	8	8	8	8	8	8	8	8	5														
74B	4	6	6	6	6	6	6	6	6	6	6	6	4											
75A	5	5	5	5	5	5	5	5	5	5	5	5	5	5	5	5	5							
75B	6	6	6	6	6	6	6	6	6	6	6	6	6	3										
*76A	8	8	8	8	8	8	8	8	8	4														
76B	4	4	4	4	4	4	4	4	4	4	4	4	4	4	4	4	4	4	4	4				
*77A	8	8	8	8	8	8	8	8	8	5														
77B	4	4	4	4	4	4	4	4	4	4	4	4	4	4	4	4	4	4	5					
78A	6	6	6	6	6	6	6	6	6	6	6	6	6											
*78B	8	8	8	8	8	8	8	8	8	6														
*79A	8	8	8	8	8	8	8	8	5	5														
79B	5	5	5	5	5	5	5	5	5	5	5	5	5	5	5	4								
*80A	8	8	8	8	8	8	8	8	8															
80B	5	5	5	5	5	5	5	5	5	5	5	5	5	5	5	5								
81A	6	6	6	6	6	6	6	6	6	6	6	6	6	3										
81B	4	4	4	4	4	4	4	4	4	4	4	4	4	4	4	4	4	4	5					
*82A	5	8	8	8	8	8	8	8	8	8	5													
82B	6	6	6	6	6	6	6	6	6	6	6	6	6	4										
*83A	8	8	8	8	8	8	8	8	8	3														
83B	4	4	4	4	4	4	4	4	4	4	4	4	4	4	4	4	4	4	3					
84A	6	6	6	6	6	6	6	6	6	6	6	6	6	6										
*84B	8	8	8	8	8	8	8	8	8	8	4													
85A	5	5	5	5	5	5	5	5	5	5	5	5	5	5	5	5	5							
*85B	8	8	8	8	8	8	8	8	8	5														
*86A	8	8	8	8	8	8	8	8	8	6														
*86B	6	6	6	6	6	6	6	6	6	6	6	6	6	8										
87A	6	6	6	6	6	6	6	6	6	6	6	6	6	3										
*87B	8	8	8	8	8	8	8	8	8	5	5													
*88A	8	8	8	8	8	8	8	8	8	8														
88B	6	6	6	6	6	6	6	6	6	6	6	6	6	4										
*89A	8	8	8	8	8	8	8	8	8	3	3	3												
89B	5	5	5	5	5	5	5	5	5	5	5	5	5	5	5	4								
90A	6	6	6	6	6	6	6	6	6	6	6	6	6	6	6									
90B	5	5	5	5	5	5	5	5	5	5	5	5	5	5	5	5	5							
*91A	8	8	8	8	8	8	8	8	8	8	3													
91B	4	4	4	4	4	4	4	4	4	4	4	4	4	4	4	4	4	4	4	3				
*92A	8	8	8	8	8	8	8	8	8	8	4													
92B	4	6	6	6	6	6	6	6	6	6	6	6	6	6	4									
93A	6	6	6	6	6	6	6	6	6	6	6	6	6	3										
*93B	8	8	8	8	8	8	8	8	8	8	5													
*94A	8	8	8	8	8	8	8	8	8	8	6													
94B	6	6	6	6	6	6	6	6	6	6	6	6	6	6	4									
95A	5	5	5	5	5	5	5	5	5	5	5	5	5	5	5	5	5							
*95B	8	8	8	8	8	8	8	8	8	8	5	5												
*96A	8	8	8	8	8	8	8	8	8	8														
96B	6	6	6	6	6	6	6	6	6	6	6	6	6	6	6									
*97A	8	8	8	8	8	8	8	8	8	3	3	3												
97B	4	4	4	4	4	4	4	4	4	4	4	4	4	4	4	4	4	4	4	5				
*98A	5	8	8	8	8	8	8	8	8	8	5													
98B	4	6	6	6	6	6	6	6	6	6	6	6	6	6	4									
99A	6	6	6	6	6	6	6	6	6	6	6	6	6	6	3									
*99B	8	8	8	8	8	8	8	8	8	8	3													
*100A	8	8	8	8	8	8	8	8	8	8	4													
100B	5	5	5	5	5	5	5	5	5	5	5	5	5	5	5	5	5							

† available for VodeRail/LED only  
 \* available for VodeRail T5 only